

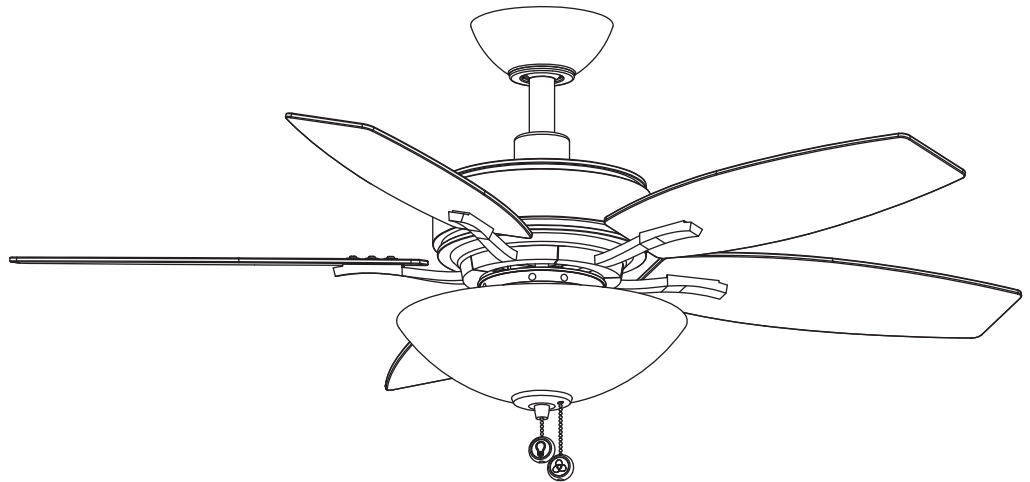
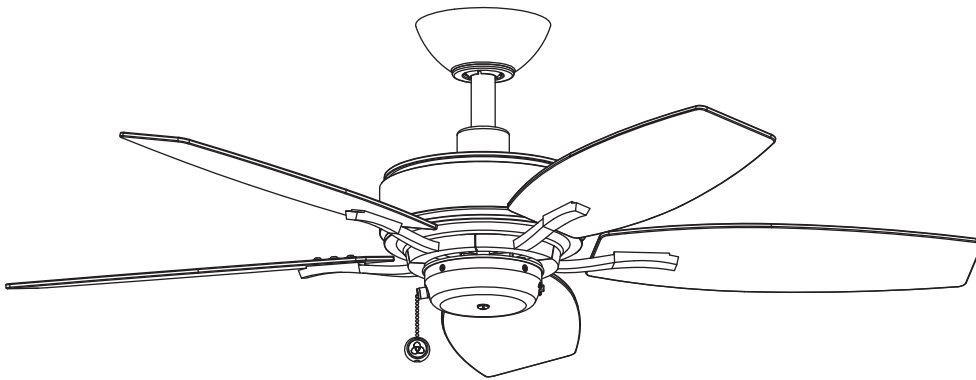


FANIMATION®
SHOWROOM COLLECTION

AIRE DELUXE™ CEILING FAN

MODEL #FP6244**
MODEL #FP6245B**

Español p. 21



**ATTACH YOUR RECEIPT HERE
READ AND SAVE THESE INSTRUCTIONS**

Purchase Date _____

FP6244** Net Weight 14.68 lbs (6.66 kg)
FP6245B** Net Weight 16.56 lbs (7.51 kg)



Questions, problems, missing parts? Before returning to your retailer, call our customer service department at 1-888-567-2055, 8 a.m.-5 p.m., EST, Monday-Friday.

Important Safety Instructions

WARNING: To avoid fire, shock and serious personal injury, follow these instructions.

1. Read your owner's manual and safety information before installing your new fan. Review the accompanying assembly diagrams.
2. Before servicing or cleaning unit, switch power off at service panel and lock service panel disconnecting means to prevent power from being switched on accidentally. When the service disconnecting means cannot be locked, securely fasten a warning device, such as a tag, to the service panel.
3. Be careful of the fan and blades when cleaning, painting, or working near the fan. Always turn off the power to the ceiling fan before servicing.
4. Do not insert anything into the fan blades while the fan is operating.
5. Do not operate reversing switch until fan blades have come to a complete stop.

Additional Safety Instructions

1. To avoid possible shock, be sure electricity is turned off at the fuse box before wiring, and do not operate fan without blades.
2. All wiring and installation procedures must satisfy National Electrical Codes (ANSI/ NFPA 70-1999) and Local Codes. The ceiling fan must be grounded as a precaution against possible electrical shock. Electrical installation should be made or approved by a licensed electrician.
3. The fan base must be securely mounted and capable of reliably supporting at least 35 lbs. See page 4 of owner's manual for support requirements. Consult a qualified electrician if in doubt.
4. The fan must be mounted with the fan blades at least 7 feet from the floor to prevent accidental contact with the fan blades.
5. Follow the recommended instructions for the proper method of wiring your ceiling fan. If you do not have adequate electrical knowledge or experience, have your fan installed by licensed electrician.
6. Use only with light kits marked suitable for use in dry locations.

WARNING: This product is designed to use only those parts supplied with this product and/or accessories designated specifically for use with this product. Using parts and/or accessories not designated for use with this product could result in personal injury or property damage.

WARNING: To reduce the risk of personal injury, do not bend the blade bracket (flange or blade holder) when installing the brackets, balancing the blades, or cleaning the fan. Do not insert foreign objects in between rotating fan blades.

WARNING: To Reduce The Risk Of Fire Or Electric Shock. Do Not Use This Fan With Any Solid-State Speed Control Device.

WARNING: To Reduce The Risk Of Electric Shock. Disconnect The Electrical Supply Circuit To The Fan Before Installing Light Kit.

LIMITED LIFETIME WARRANTY

Extends to the original purchaser of a Fanimation Fan

1. LIMITED LIFETIME MOTOR WARRANTY - If any part of your fan motor fails, due to a defect in materials or workmanship during the lifetime of the original purchaser, Fanimation will provide the replacement part free of charge, when the defective fan is returned to our national service center. Proof of purchase is required. Customer shall be responsible for all costs incurred in the removal or reinstallation and shipping of the product for repairs or replacement.
2. ONE YEAR MOTOR LABOR WARRANTY - If your fan motor fails at any time within one year from the original purchase, due to defects in materials or workmanship, labor to repair the motor will be provided free of charge at our national service center. Purchaser will be responsible for labor charges after this one-year period. Customer shall be responsible for all costs incurred in the removal or reinstallation and shipping of the product for repairs or replacement.
3. If any other part of your fan fails at any time within one year after original purchase, due to a defect in materials or workmanship, we will repair, or replace, at our option, the defective part free of charge for parts and labor performed at our national service center.
4. Because of varying climate conditions, this warranty does not cover changes in the finish, including rusting, pitting, corroding, tarnishing, or peeling.
5. This warranty is void and does not apply to damage from improper installation, neglect, accident, misuse, exposure to extremes of heat or humidity, or as a result of any modification to the original product.
6. All costs of removal and reinstallation of the fan are the sole responsibility of the owner of the fan and not the store that sold the fan or Fanimation.
7. Fanimation reserves the right to modify or discontinue any product at any time and may substitute any part under this warranty.
8. Under no circumstances may a fan be returned without prior authorization from Fanimation. The receipt of purchase must accompany authorized returns and must be sent freight prepaid to Fanimation. The fan to be returned must be properly packed to avoid damage in transit; Fanimation will not be responsible for any damage resulting from improper packaging.
9. It is understood that any repair or replacement is the exclusive remedy available from Fanimation. There is no other expressed or implied warranty. Fanimation hereby disclaims any and all implied warranties, including, but not limited to those of merchantability and fitness for a particular purpose to the extent permitted by law. Some states do not allow limitations on implied warranties. Fanimation will not be liable for incidental, consequential, or special damages arising out of or in conjunction with product use or performance, except as may otherwise be accorded by law. This warranty gives you special legal rights and you may also have other rights that vary from state to state.
10. A certain amount of wobble is normal and should not be considered a problem or a defect.

Table of Contents

Unpacking Instructions	3	How to Operate Your Ceiling Fan	13
Energy Efficient Use of Ceiling Fans	4	Trouble Shooting	14
Electrical and Structural Requirements	4	Maintenance	15
How to Assemble Your Ceiling Fan	6	How to Clean Your Ceiling Fan Blades	15
How to Hang Your Ceiling Fan	8	Parts List—FP6244	16
How to Wire Your Ceiling Fan	9	Exploded-View Illustration —FP6244	17
How to Install Your Canopy Housing	10	Parts List—FP6245B	18
How to Assemble Your Ceiling Fan Blades	10	Exploded-View Illustration —FP6245B	19
How to Assemble Your Switch Cup Assembly/Light Kit Assembly ..	11		

This manual is designed to make it as easy as possible for you to assemble, install, operate and maintain your ceiling fan

Tools Needed for Assembly

- One Phillips head screwdriver
- One wire stripper
- One stepladder
- One 1/4" blade screwdriver
- Three wire connectors (supplied)

Materials

Wiring outlet box and box connectors must be of type required by the local code. The minimum wire would be a 3-conductor (2-wire with ground) of the following size:

Installed Wire Length	Wire Size A.W.G.
Up to 50 ft.	14
50-100 ft.	12

NOTE: Place the parts from the loose parts bags in a small container to keep them from being lost. If any parts are missing contact your local retailer.

⚠ WARNING

Before assembling your ceiling fan, refer to section on proper method of wiring your fan (page 9). If you feel you do not have enough wiring knowledge or experience, have your fan installed by a licensed electrician.

Unpacking Instructions

For your convenience, check-off each step. As each step is completed, place a check mark. This will ensure that all steps have been completed and will be helpful in finding your place should you be interrupted.

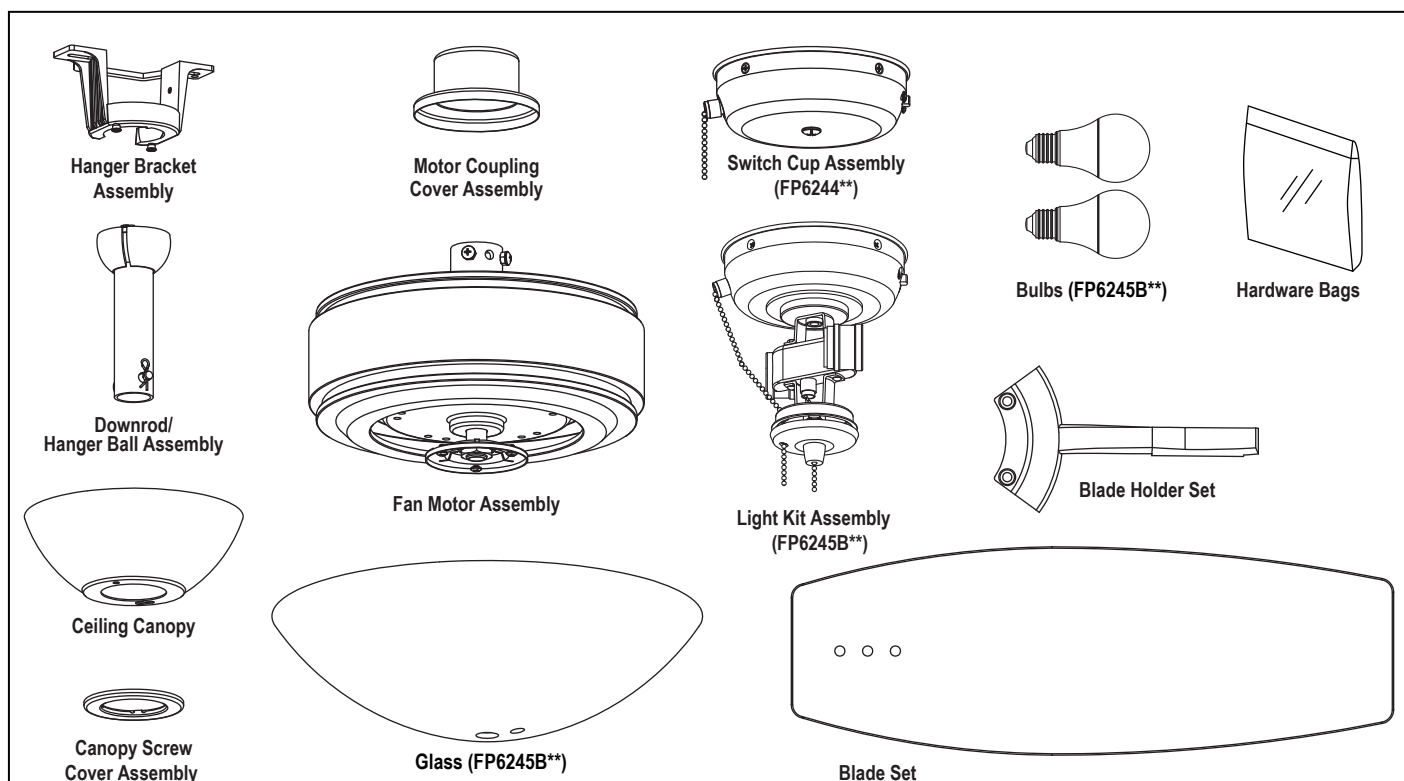
⚠ WARNING

Do not install or use fan if any part is damaged or missing. This product is designed to use only those parts supplied with this product and/or any accessories designated specifically for use with this product by Fanimation. Substitution of parts or accessories not designated for use with this product by Fanimation could result in personal injury or property damage. Contact your retail store for missing or damaged parts.

- Fan Motor Assembly
- Downrod/Hanger Ball Assembly
- Hanger Bracket Assembly
- Ceiling Canopy
- Canopy Screw Cover Assembly
- Motor Coupling Cover Assembly
- Switch Cup Assembly (FP6244**)
- Light Kit Assembly (FP6245B**)
- Glass (FP6245B**)
- Bulbs (FP6245B**)
- Blade Holder Set
- Blade Set
- Hardware bags:
 - 1/4"-20 pan head screws with lock washers (blade holder to fan motor hub)
 - 3/16"-24 washer head screws (blade to blade holder)
 - Fiber Washer
 - Four Wire Connectors
 - Balance Kit
 - Light Kit Chain Coupler (FP6245B**)
 - Fan Chain Coupler (FP6244** & FP6245B**)

1. Check to see that you have received the following parts:

NOTE: If you are uncertain of part description, refer to exploded view illustration.



Energy Efficient Use of Ceiling Fans

Ceiling fan performance and energy savings rely heavily on the proper installation and use of the ceiling fan. Here are a few tips to ensure efficient product performance.

Choosing the Appropriate Mounting Location

Ceiling fans should be installed, or mounted, in the middle of the room and at least 7 feet above the floor and 18 inches from the walls. If ceiling height allows, install the fan 8 - 9 feet above the floor for optimal airflow. Consult your Fanimation Retailer for optional mounting accessories.

Turn Off When Not in the Room

Ceiling fans cool people, not rooms. If the room is unoccupied, turn off the ceiling fan to save energy.

Using the Ceiling Fan Year Round

Summer Season: Use the ceiling fan in the counter-clockwise direction. The airflow produced by the ceiling fan creates a wind-chill effect, making you "feel" cooler. Select a fan speed that provides a comfortable breeze, lower speeds consume less energy.

Winter Season: Reverse the motor and operate the ceiling fan at low speed in the clockwise direction. This produces a gentle updraft, which forces warm air near the ceiling down into the occupied space. Remember to adjust your thermostat when using your ceiling fan - additional energy and dollar savings could be realized with this simple step!

Electrical and Structural Requirements

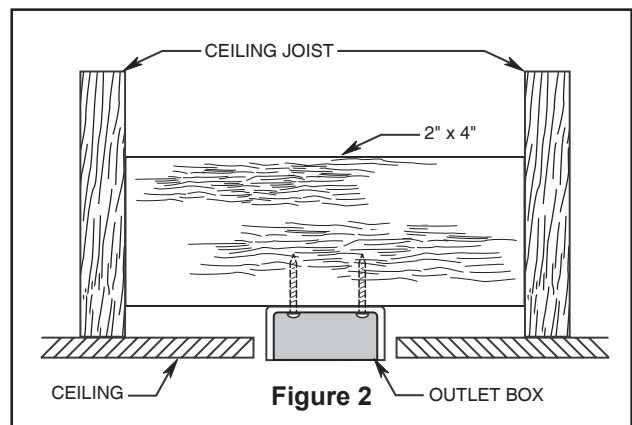
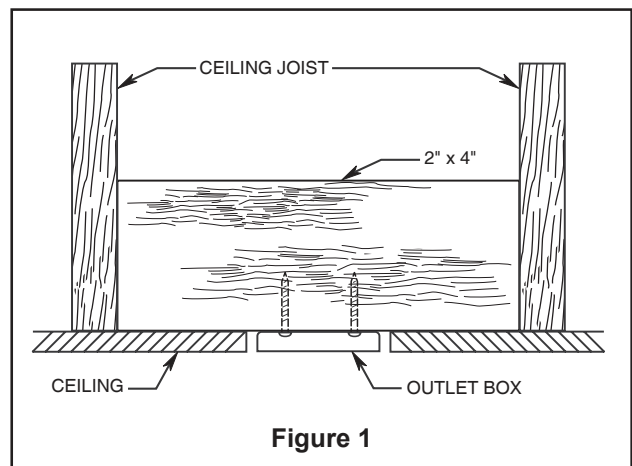
Your new ceiling fan will require a grounded electrical supply line of 120 volts AC, 60 HZ, 15 Amp Circuit. Electrical code requires use of a fan-rated outlet box to support the extra weight and motion associated with a ceiling fan. A fan-rated box will be labeled as such and typically supports up to a 70lb ceiling fan. Fan-Rated Outlet Boxes vary in ratings and design. Ensure the ratings of your ceiling fan outlet box meet the requirements for the ceiling fan being installed. Figure 1, Figure 2 and Figure 3 depicts different structural configurations that may be used for mounting the outlet box.

Low-profile use (Figure 1)

A 1/2-in.-deep pancake box is meant to be screwed to a joist or block. It's used if only one cable is coming into the box. It is also available in a saddle-mount configuration.

Deep-profile use (Figure 2)

A 2-1/4-in.-deep box can be attached to blocking between joists and is roomy enough to handle more than one cable.



Electrical and Structural Requirements (Continued)

Brace use (Figure 3)

Paired with a deep box, this hanger is meant to span between two joists and takes the place of wooden blocking.

WARNING

To reduce the risk of fire, electrical shock, or personal injury, mount fan to outlet box marked acceptable for fan support of 15.88 kg (35 lbs) or less. Use screws supplied with outlet box. Most outlet boxes commonly used for support of light fixtures are not acceptable for fan support and may need to be replaced. Consult a qualified electrician if in doubt.

If your fan is to replace an existing light fixture, turn electricity off at the main fuse box at this time and remove the existing light fixture.

WARNING

Turning off wall switch is not sufficient. To avoid possible electrical shock, be sure electricity is turned off at the main fuse box before wiring. All wiring must be in accordance with National and Local codes and the ceiling fan must be properly grounded as a precaution against possible electrical shock.

WARNING

To avoid fire or shock, follow all wiring instructions carefully. Any electrical work not described in these instructions should be done or approved by a licensed electrician.

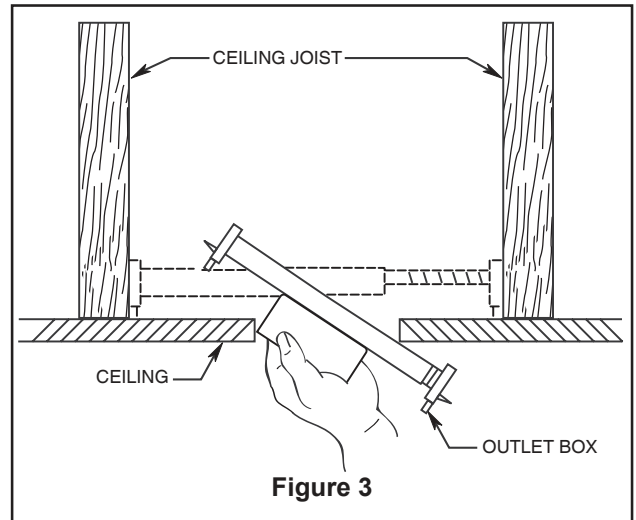
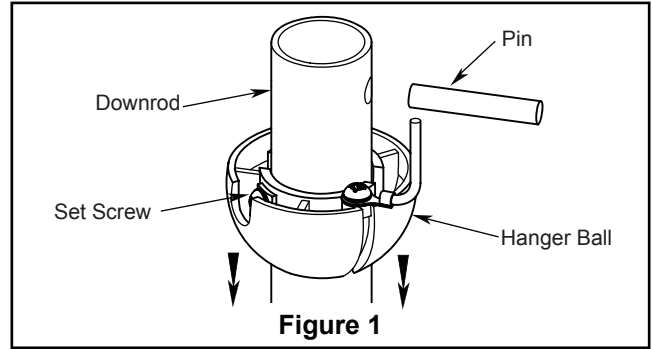


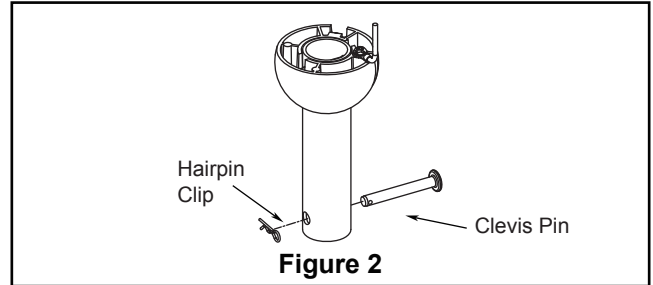
Figure 3

How to Assemble Your Ceiling Fan

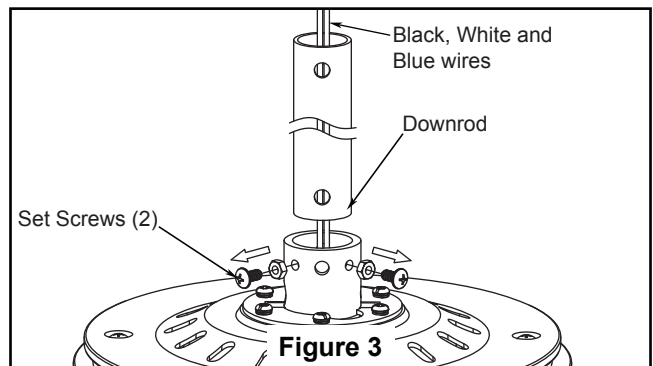
1. Remove the hanger ball portion from the downrod/hanger ball assembly by loosening the set screw in the hanger ball until the ball falls freely down the downrod. Remove the pin from the downrod, then remove the hanger ball. Retain the pin and hanger ball for reinstallation in Step 6. (Figure 1)



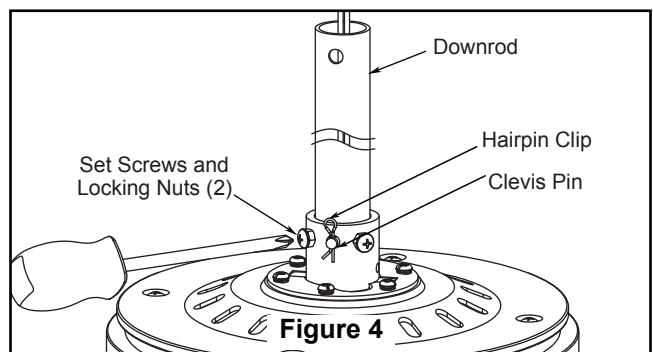
2. Remove the hairpin clip and clevis pin from the bottom of the downrod. Retain the pin and clip for reinstallation in Step 4. (Figure 2)



3. Loosen the two set screws in the downrod support of the motor assembly. Route the black, white and blue wires through the downrod. (Figure 3)



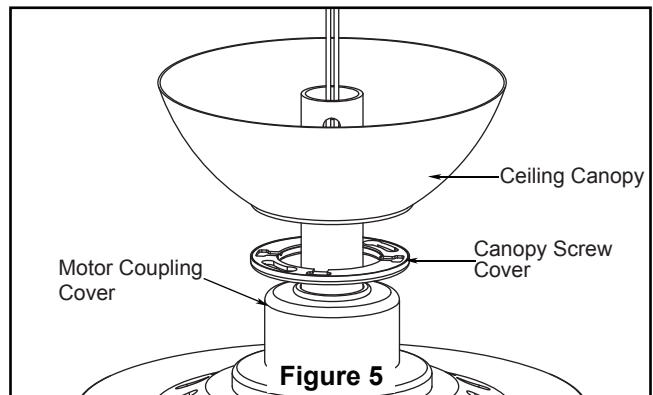
4. Slide downrod into the downrod support on top of the motor. Install the clevis pin by aligning the holes in the downrod support with holes in the downrod. Secure clevis pin with hairpin clip. Tighten the two set screws with nuts in the downrod support. (Figure 4)



⚠ WARNING

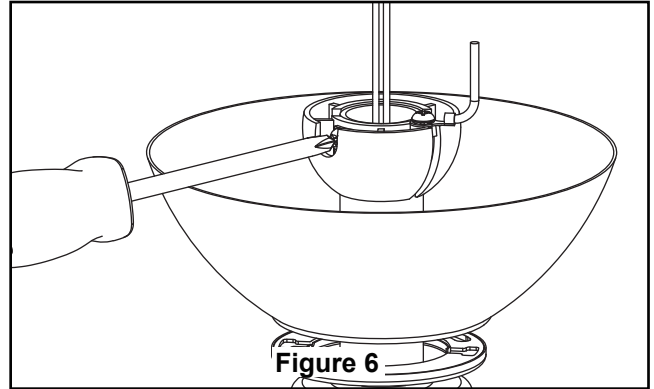
It is critical that the clevis pin in the downrod support is properly installed and the set screws and nuts are securely tightened. Failure to do so could result in the fan falling.

5. Route wires through Motor Coupling Cover, Canopy Screw Cover and Ceiling Canopy. (Figure 5)



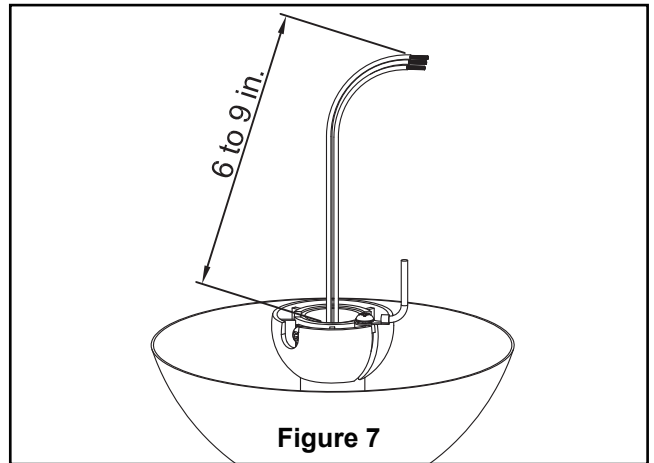
How to Assemble Your Ceiling Fan (continued)

6. Reinstall the hanger ball on the downrod as follows. Route the black, white and blue wires through the hanger ball. Position the pin through the two holes in the downrod and align the hanger ball so the pin is captured in the groove in the top of the hanger ball. Pull the hanger ball up tight against the pin. Securely tighten the set screw in the hanger ball. A loose set screw could create fan wobble. (Figure 6)



7. Cut off excess lead wire approximately 6 to 9 inches above the top of the downrod. Strip insulation off 1/2 inch from the end of each lead wire. (Figure 7)

NOTE: All set screws must be checked, and retightened where necessary, before installation.



How to Hang Your Ceiling Fan

⚠ WARNING

To avoid possible fire or shock, be sure electricity is turned off at the main fuse box before hanging. (Figure 1)

NOTE: If you are not sure if the outlet box is grounded, contact a licensed electrician for advice, as it must be grounded for safe operation.

⚠ WARNING

The fan must be hung with at least 7' of clearance from floor to blades. (Figure 2)

1. Securely attach the hanger bracket to the outlet box (not included) using the outlet box screws and washers supplied with the outlet box. (Figure 3)

⚠ WARNING

The outlet box must be securely anchored. Hanger bracket must seat firmly against outlet box. If the outlet box is recessed, remove wall board until bracket contacts box. If bracket and /or outlet box are not securely attached, the fan could wobble or fall.

2. Carefully lift the fan and seat the downrod/hanger ball assembly on the hanger bracket that was just attached to the outlet box. Be sure the groove in the ball is lined up with tab on the hanger bracket. (Figure 4)

⚠ WARNING

Failure to seat tab in groove could cause damage to electrical wires and possible shock or fire hazard.

⚠ WARNING

To avoid possible shock, do not pinch wires between the hanger ball assembly and the hanger bracket.

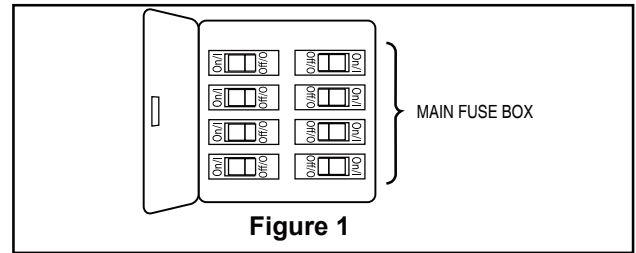


Figure 1

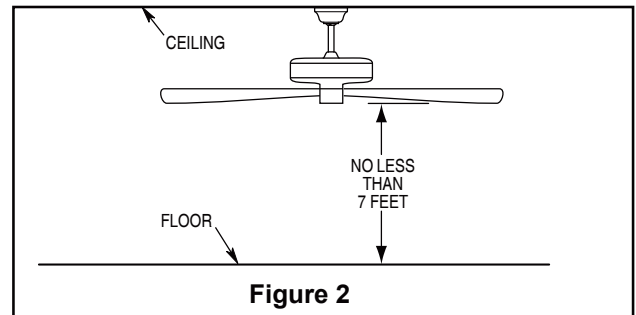


Figure 2

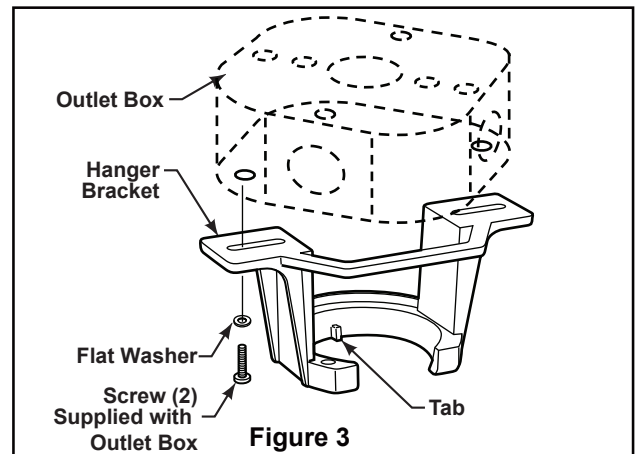


Figure 3

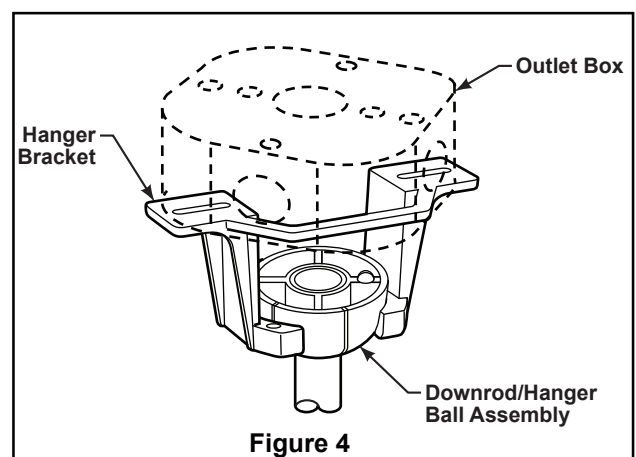


Figure 4

How to Wire Your Ceiling Fan

⚠ WARNING
To avoid possible fire or shock, be sure electricity is turned off at the main fuse box before hanging.
(Figure 1)

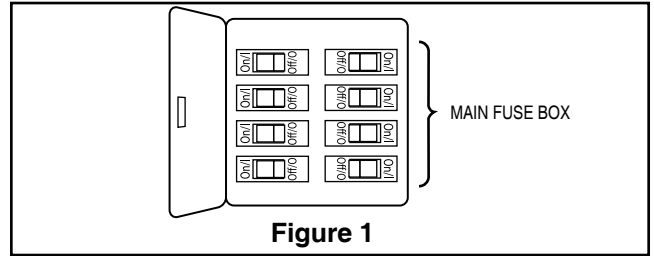


Figure 1

1. Connect the green grounding lead from the hanger ball and the green grounding lead from the hanger bracket to the supply grounding conductor (this may be a bare wire or wire with green colored insulation). Securely connect wires with wire connectors supplied. (Figure 2)

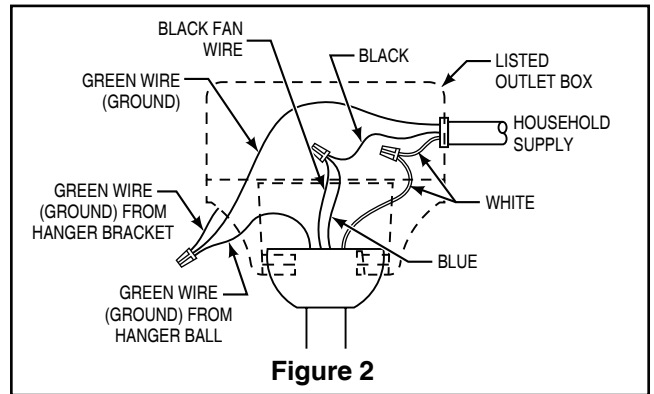
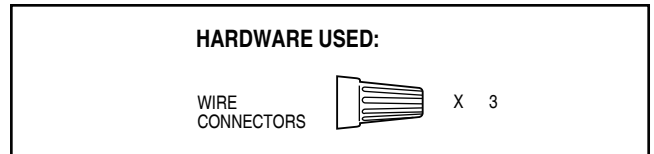


Figure 2

2. Securely connect the white fan motor wire to the white supply (neutral) wire using wire connector supplied. Securely connect the black fan motor wire and blue wire to the black supply wire using wire connector supplied. (Figure 2)



3. After splicing and making the wire connections, the wires should be spread apart and turned upward with the grounded conductor and the equipment-grounding conductor on one side of the outlet box and the ungrounded conductor on the other side of the outlet box. (Figure 3)

⚠ WARNING
Check to see that all connections are tight, including ground, and that no bare wire is visible at the wire connectors, except for the ground wire. Do not operate fan until the blades are in place. Noise and fan damage could result.

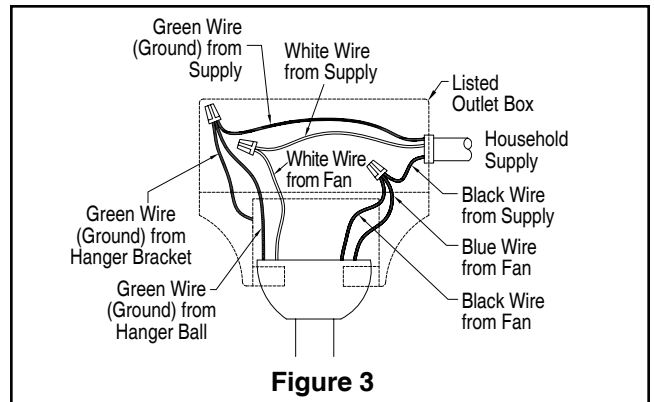


Figure 3

How to Install Your Canopy Housing

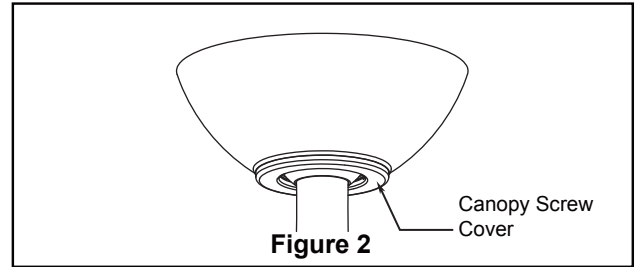
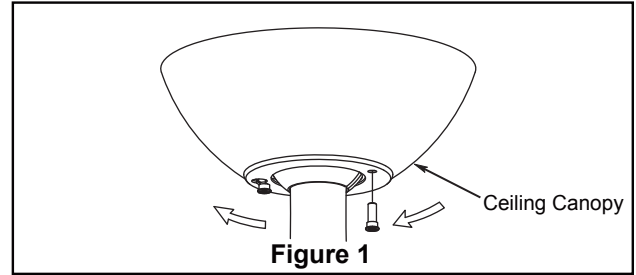
NOTE: This step is applicable *after* the necessary wiring is completed.

1. Remove one of the two shoulder screws in the hanger bracket. Loosen the second shoulder screw without fully removing it. Assemble canopy by rotating key slot in canopy over shoulder screw in hanger bracket. Tighten shoulder screw. Fully assemble and tighten second shoulder screw that was previously removed. (Figure 1)

WARNING

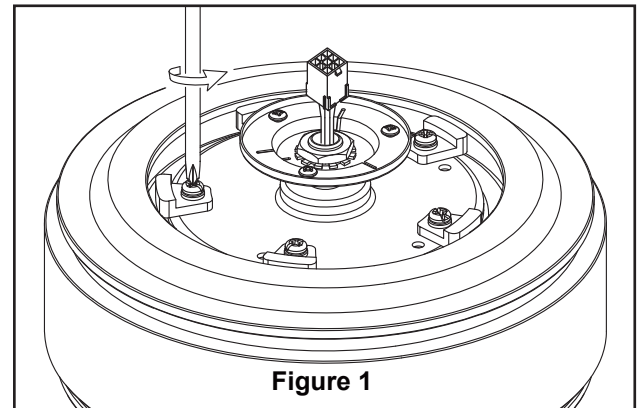
To avoid possible fire or shock, make sure that the electrical wires are completely inside the canopy housing and not pinched between the housing and the ceiling.

2. Securely attach and tighten the canopy screw cover over the shoulder screws in the hanger bracket utilizing the keyslot twist-lock feature. (Figure 2)

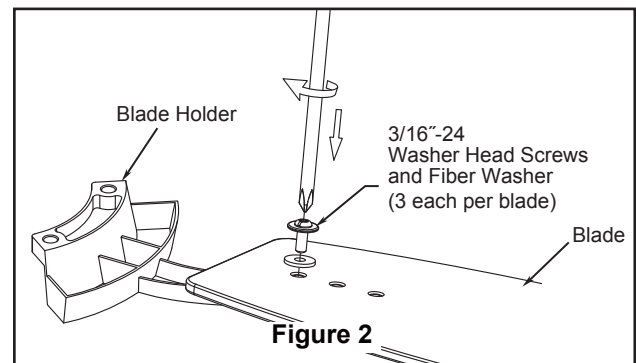


How to Assemble Your Ceiling Fan Blades

1. Remove and discard the five rubber motor stops from the motor assembly by removing the screws. (Figure 1)



2. Position the blade over the blade holder with threaded posts showing. Make sure the bottom edge of the blade is fully seated against the blade holder. With a phillips screwdriver, tighten 3/16"-24 washer head screws and fiber washers to secure the blade to the blade holder. (Figure 2)

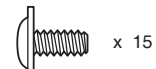


CAUTION

Do not connect fan blades until the fan is completely installed. Installing the fan with blades assembled may result in damage to the fan blades.

HARDWARE USED:

3/16"-24
WASHER HEAD
SCREWS



FIBER WASHER



How to Assemble Your Ceiling Fan Blades (Continued)

3. Secure the blade holders to the bottom of the motor assembly using the 1/4"-20 screws. (Figure 3)

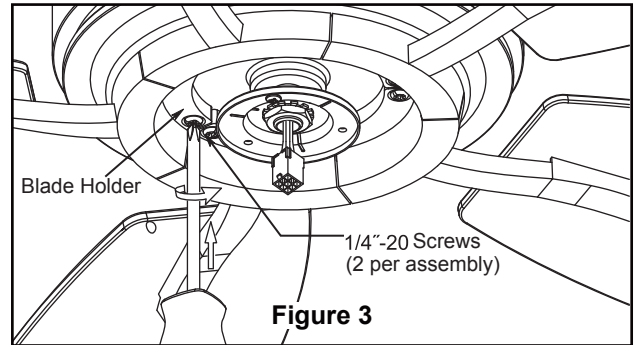
NOTE: Periodically check blade holder hardware and resecure if necessary.

WARNING

To reduce the risk of personal injury, do not bend the blade holders when installing, balancing the blades or cleaning the fan. Do not insert foreign objects in between the rotating blades.

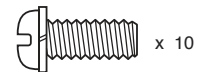
CAUTION

To reduce the risk of electric shock, disconnect the electrical supply circuit to the fan before installing light kit.



HARDWARE USED:

1/4\"-20
SCREWS

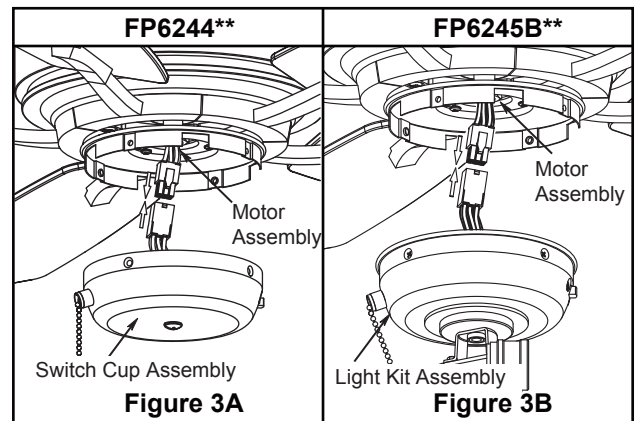
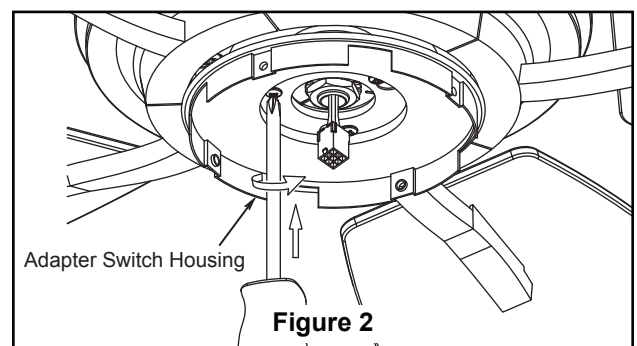
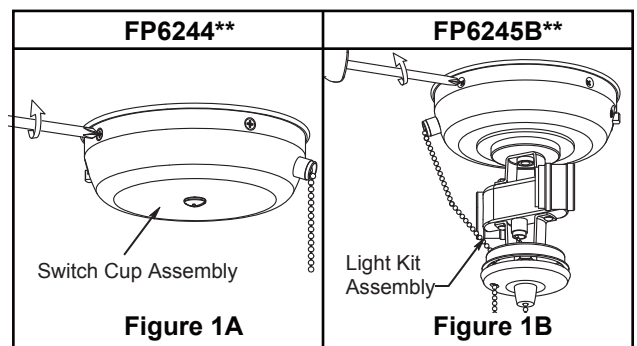


How to Assemble Your Switch Cup Assembly/Light Kit Assembly

- 1A—FP6244**. Remove the three screws in the switch cup assembly. Retain the screws for Step 4. (Figure 1A)
- 1B—FP6245B**. Remove the three screws in light kit assembly. Retain the screws for Step 4. (Figure 1B)

2. Remove one of the three screws in the support bracket. Slightly loosen the remaining two screws. Assemble the adapter-switch housing to the housing support bracket using the two key slots in the adapter switch housing. Replace the third screw and securely tighten all three screws. (Figure 2)

- 3A—FP6244**. Securely attach the 9-pin connector from the motor assembly to the wire harness socket within the switch cup assembly. (Figure 3A)
- 3B—FP6245B**. Securely attach the 9-pin connector from the motor assembly to the wire harness socket within the light kit assembly. (Figure 3B)



How to Assemble Your Switch Cup Assembly/Light Kit Assembly (Continued)

- 4A—FP6244**.** Assemble the switch cup assembly to the switch housing adapter using the previously removed screws and securely tighten all screws. (Figure 4A)
- 4B—FP6245B**.** Assemble the light kit assembly to the switch housing adapter using the previously removed screws and securely tighten all screws. (Figure 4B)

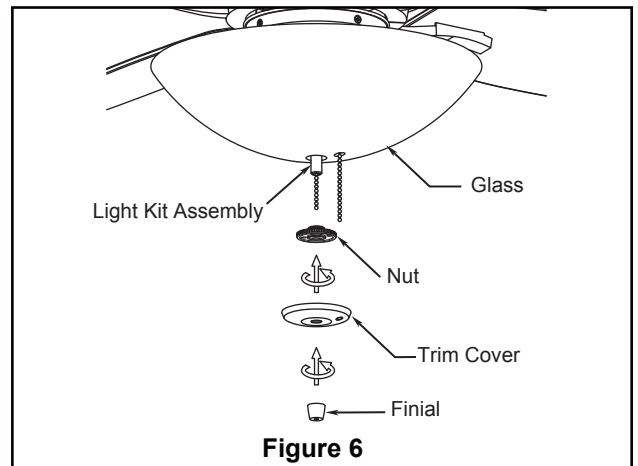
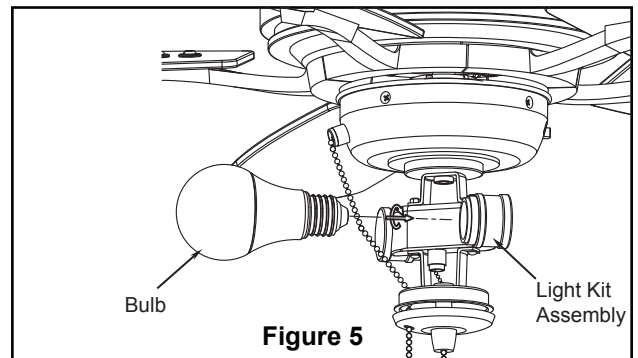
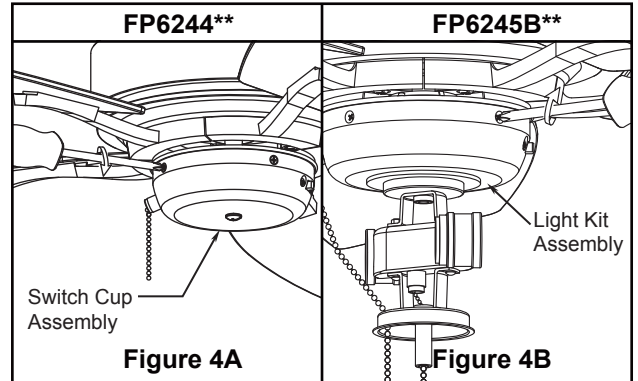
NOTE: If you have installed your fan without light kit (FP6244**) skip Steps 5 and 6.

- 5.** Insert light bulbs into sockets. (Figure 5)

CAUTION

To reduce the risk of electric shock, disconnect the electrical supply circuit to the fan before installing light kit.

- 6.** Disassemble the finial, trim cover and nut in light kit assembly. Securely attach the glass to light kit assembly using supplied nut, trim cover and finial. Do not over tighten. (Figure 6)



How to Operate Your Ceiling Fan

- 1. Restore electrical power to the outlet box by turning the electricity on at the main fuse box. (Figure 1)

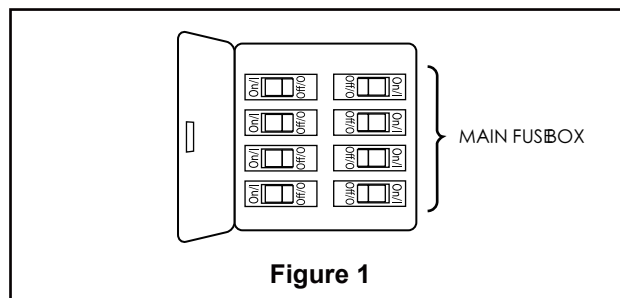


Figure 1

- 2A. Install the fan pull chain coupler. (Figure 2A)
- 2B. Install the fan pull chain coupler and light kit pull chain coupler. (Figure 2B)

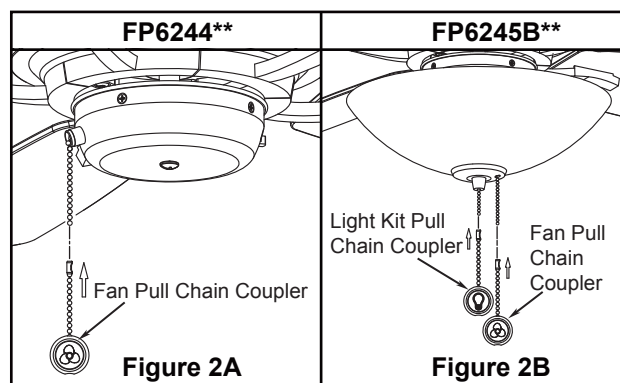


Figure 2A

Figure 2B

- 3. Check the operation of the fan by gently pulling on the fan pull chain. (Figure 3)

Fan Pull Chain Operating Sequence	
1 st Pull	High
2 nd Pull	Medium
3 rd Pull	Low
4 th Pull	Off

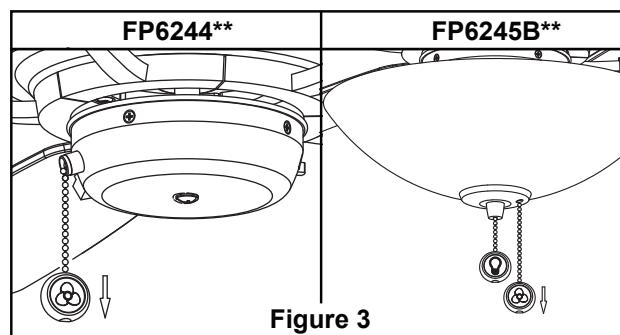


Figure 3

- 4. « **FP6245B** ONLY** »
Check the operation of the light by gently pulling on the light pull chain. (Figure 4)

Light Pull Chain Operating Sequence	
1 st Pull	On
2 nd Pull	Off

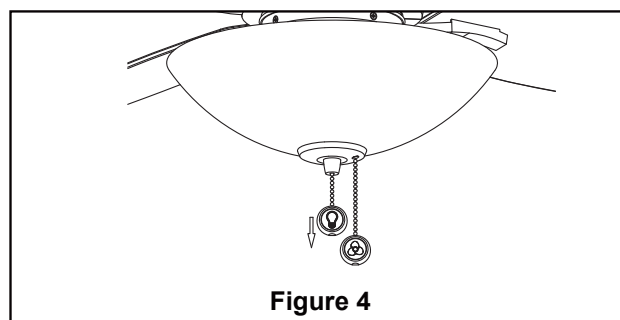


Figure 4

- 5. If airflow is desired in the opposite direction, turn the fan off and wait for the blades to stop turning. Then slide the reverse switch to the opposite position and turn fan on again. (Figure 5)

Reverse Switch Information		
Season	Rotation Direction	Switch Position
Summer	Counter-Clockwise	Left
Winter	Clockwise	Right

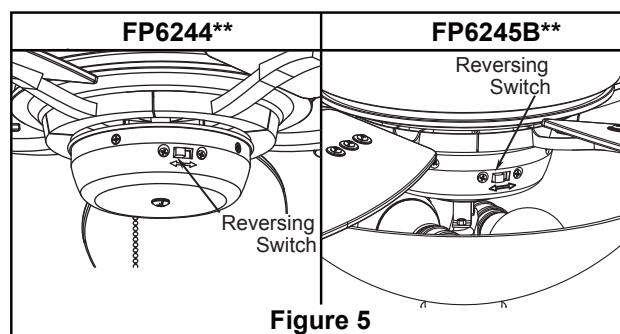


Figure 5

Trouble Shooting

⚠ WARNING

For your own safety turn off power at fuse box or circuit breaker before trouble shooting your fan.

Trouble	Probable Cause	Suggested Remedy
1. FAN WILL NOT START	<ol style="list-style-type: none"> 1. Fuse or circuit breaker blown. 2. Loose power line connections to the fan, or loose switch wire connections in the switch housing. 3. Reversing switch in neutral position. 	<ol style="list-style-type: none"> 1. Check main and branch circuit fuses or circuit breakers. 2. Check line wire connections to fan and switch wire connections in the switch housings. CAUTION: Make sure main power is turned off ! 3. Make sure reversing switch position is all the way to one side.
2. FAN SOUNDS NOISY	<ol style="list-style-type: none"> 1. Blades not attached to fan. 2. Loose screws in motor housing. 3. Screws securing fan blade holders to motor flywheel are loose. 4. Wire connectors inside housing rattling. 5. Screws holding blades to blade holders are loose. 6. Lower housing support set screw loose. 	<ol style="list-style-type: none"> 1. Attach blades to fan before operating. 2. Check to make sure all screws in motor housing are snug (not over-tight). 3. Check to make sure the screws which attach the fan blade holders to the motor flywheel are tight. 4. Check to make sure wire connectors in switch housing are not rattling against each other or against the interior wall of the switch housing. CAUTION: Make sure main power is turned off ! 5. Tighten screws securely. 6. Tighten set screw securely.
3. FAN WOBBLER EXCESSIVELY	<ol style="list-style-type: none"> 1. Setscrew in downrod support is loose. 2. Setscrew in downrod/hanger ball assembly is loose. 3. Screws securing fan blade holders to flywheel are loose. 4. Blade holders not seated properly. 5. Hanger bracket and/or ceiling outlet box is not securely fastened. 6. Fan blades out of balance. 	<ol style="list-style-type: none"> 1. Tighten both setscrews securely in downrod support. 2. Tighten the setscrew in the downrod/hanger ball assembly. 3. Check to be sure screws which attach the fan blade holders to the flywheel are tight. 4. Check to be sure the fan blade holders seat firmly and uniformly to the surface of the motor housing. If holders are seated incorrectly, loosen the screws and retighten. 5. Tighten the hanger bracket screws to the outlet box, and secure outlet box. 6. Balance blades using balance kit provided in hardware bag.
4. NOT ENOUGH AIR MOVEMENT		<ol style="list-style-type: none"> 1. If possible, consider using a longer downrod (not included, you can buy the longer downrod from fanimation.com).

Maintenance

1. Periodic cleaning of your new ceiling fan is the only maintenance that is needed. When cleaning, use only a soft brush or lint free cloth to avoid scratching the finish. Abrasive cleaning agents are not required and should be avoided to prevent damage to finish.

CAUTION

Do not use water when cleaning your ceiling fan. It could damage the motor or the finish and create the possibility of electrical shock.

How to Clean Your Ceiling Fan Blades

Periodic light dusting of the blades is recommended. A feather duster will work best.

Avoid using water, cleansers, or harsh rags, which can warp and ruin the finish.

Parts List

Model No. FP6244**

Reference #	Description	Part #
1	Hanger Bracket Assembly	APGAC110BL
2	Hanger Ball/Downrod Assembly	ADRAC1-45**
3	Canopy	PPAC1012**
4	Canopy Screw Cover Assembly	APPAC1101**
5	Motor Coupling Cover	APPAC1411**
6	Fan Motor Assembly	AMA6244**
7	Blade Holder Set	AP624412**
8	Blade Set	AP624405**
9	Switch Cup Assembly	AP624404**
10	Loose Hardware Bag:	HDWFP6244**
—	Balance Kit	—
—	Wire Connectors (4)	—
—	Fan Chain Coupler	—
—	Blade Mounting Hardware Bag:	
—	Washer Head Screws 3/16"-24 (16)	—
—	Fiber Washer (16)	—
—	Blade Holder Mounting Hardware Bag:	
—	Pan Head Screw 1/4"-20 with Lock Washer (11)	—

** Insert FINISH CODES (Refer to fan model number located on downrod support)

Before discarding packaging material, be certain all parts have been removed.

HOW TO ORDER REPAIR PARTS

When ordering repair parts, always give the following information:

- Part Number
- Part Description
- Fan Model Number

Contact your retail store for repair parts.

**Aire Deluxe™
Model FP6244**
Exploded-View Illustration**

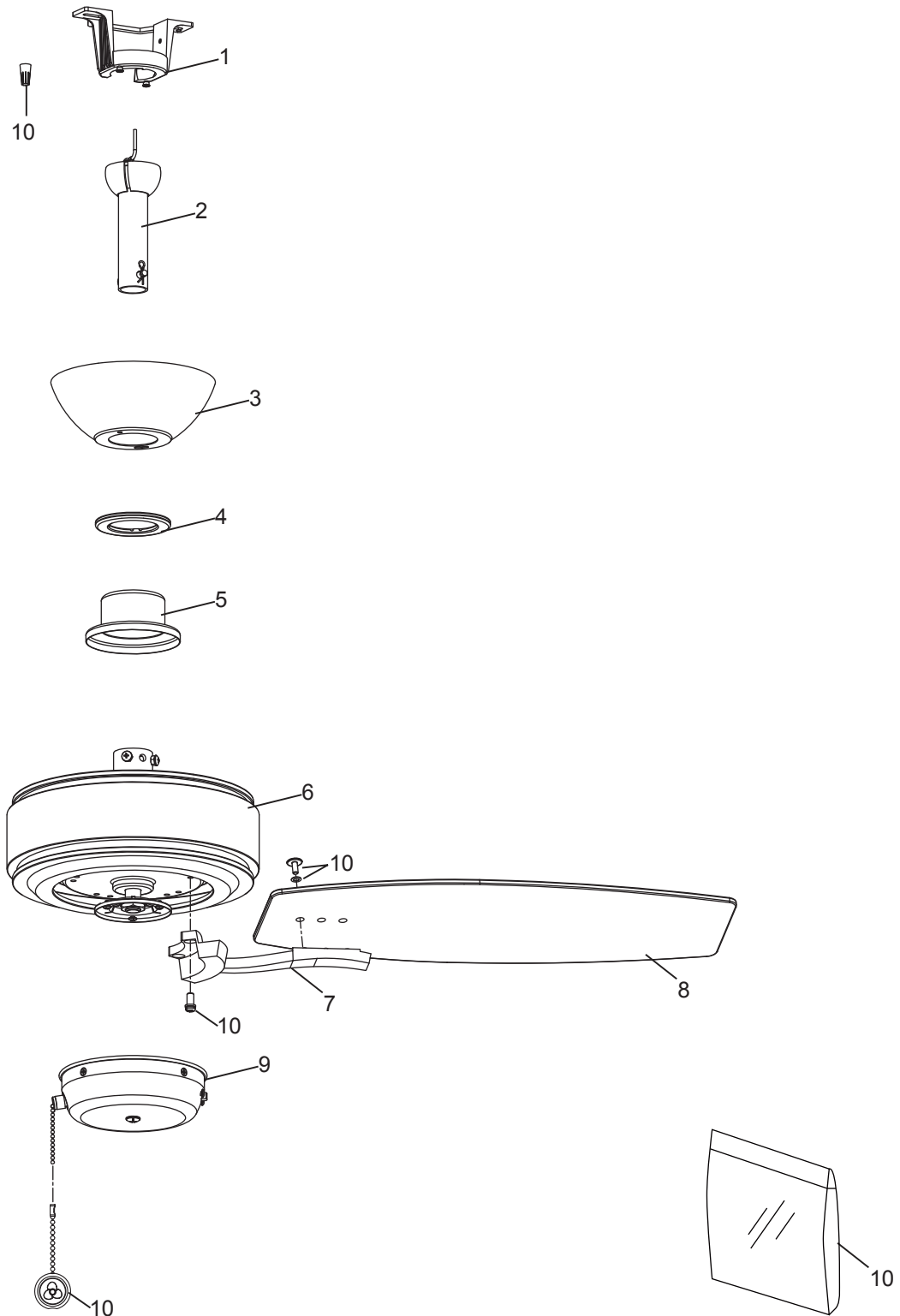


Figure 1

NOTE: The illustration shown is not to scale or its actual configuration may vary. Product/parts are subject to change without notice.

Parts List

Model No. FP6245B**

Reference #	Description	Part #
1	Hanger Bracket Assembly	APGAC110BL
2	Hanger Ball/Downrod Assembly	ADRAC1-45**
3	Canopy	PPAC1012**
4	Canopy Screw Cover Assembly	APPAC1101**
5	Motor Coupling Cover	APPAC1411**
6	Fan Motor Assembly	AMA6245**
7	Blade Holder Set	AP624412**
8	Blade Set	AP624405**
9	Light Kit Assembly	AP624501B**
10	Glass	P624501FW
11	Bulbs (2)	PPE27L10
12	Loose Hardware Bag:	HDWFP6245**
—	Balance Kit	—
—	Wire Connectors (4)	—
—	Fan Chain Coupler	—
—	Light Kit Chain Coupler	—
	Blade Mounting Hardware Bag:	
—	Washer Head Screws 3/16"-24 (16)	—
—	Fiber Washer (16)	—
	Blade Holder Mounting Hardware Bag:	
—	Pan Head Screw 1/4"-20 with Lock Washer (11)	—

** Insert FINISH CODES (Refer to fan model number located on downrod support)

Before discarding packaging material, be certain all parts have been removed.

HOW TO ORDER REPAIR PARTS

When ordering repair parts, always give the following information:

- Part Number
- Part Description
- Fan Model Number

Contact your retail store for repair parts.

**Aire Deluxe™
Model FP6245B**
Exploded-View Illustration**

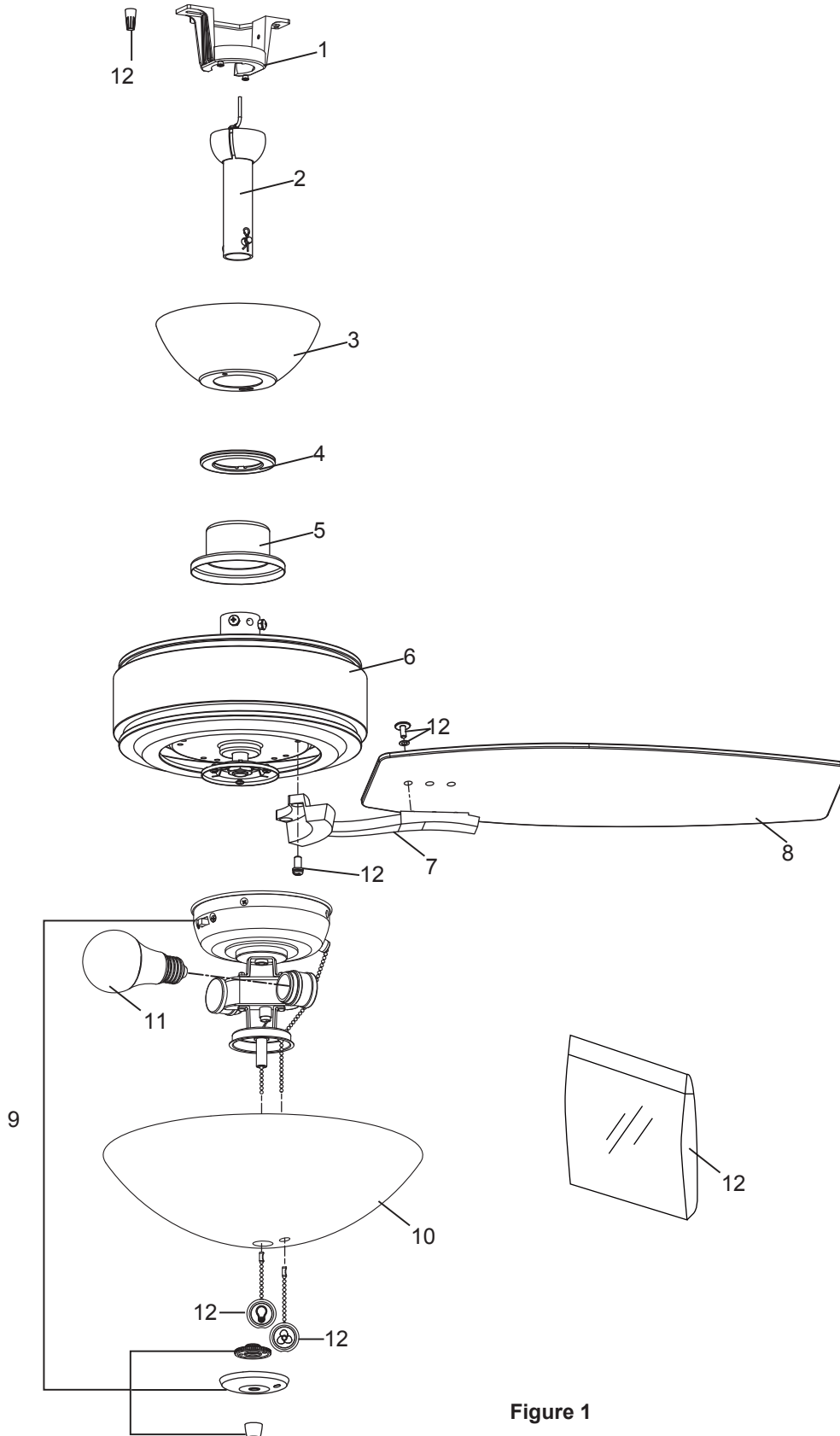


Figure 1

NOTE: The illustration shown is not to scale or its actual configuration may vary. Product/parts are subject to change without notice.



10983 Bennett Parkway
Zionsville, IN 46077
Phone: 888-567-2055
Outside U.S.: 317-733-4113
FAX: 866-482-5215
FANIMATION.COM

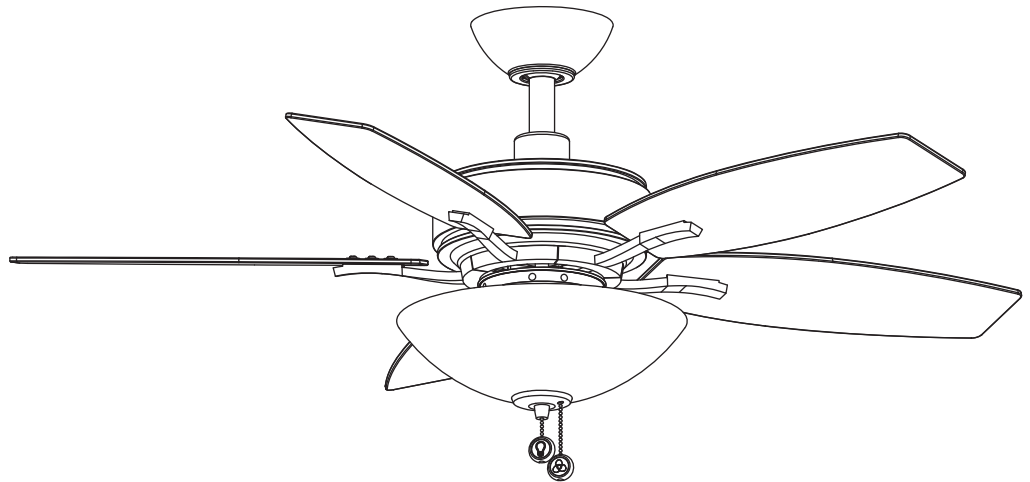
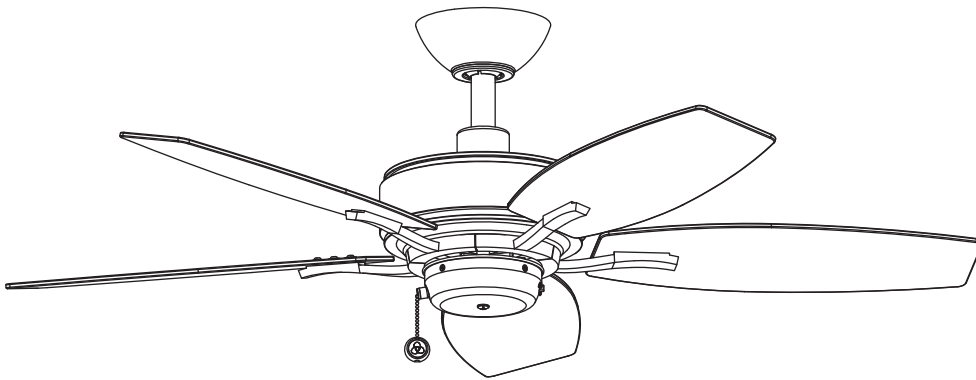
2017/02 V.01
Copyright 2017 Fanimation



FANIMATION[®]
SHOWROOM COLLECTION

VENTILADOR DE TECHO AIRE DELUXE™

MODELO #FP6244**
MODELO #FP6245B**



Adjunte su recibo AQUÍ
LEA Y GUARDE ESTAS INSTRUCCIONES

Fecha de compra _____

FP6244** Peso neto 6.66 kgs (14.68 lbs)
FP6245B** Peso neto 7.51 kgs (16.56 lbs)



Preguntas, problemas, piezas faltantes? Antes de volver a la tienda, llame a nuestro Departamento de Servicio al Cliente al 1-888-567-2055, 8 a.m. - 5 pm, hora del Este, de lunes - viernes.

Instrucciones de seguridad importantes

ADVERTENCIA: Siga estas instrucciones para prevenir incendios, descargas eléctricas y lesiones personales graves.

1. Lea el manual del propietario y la información de seguridad antes de instalar su nuevo ventilador. Observe los diagramas de ensamblaje adjuntos.
2. Antes de llevar a cabo el mantenimiento o la limpieza de la unidad, desconecte la electricidad en el panel de servicio y bloquee los medios de desconexión del mismo para evitar que se active accidentalmente. Si no se pueden bloquear los medios de desconexión del servicio, coloque un dispositivo de advertencia, como una etiqueta, en el panel de servicio.
3. Tenga cuidado con la estructura y las aspas del ventilador cuando limpie, pinte o trabaje cerca del mismo. Desconecte siempre la electricidad del ventilador de techo antes de llevar a cabo el mantenimiento.
4. No coloque nada en las aspas del ventilador cuando éste se encuentra en funcionamiento.
5. No accione el conmutador inversor hasta que las aspas del ventilador se hayan detenido por completo.

Instrucciones de seguridad adicionales

1. Para evitar posibles descargas eléctricas, asegúrese de que la electricidad esté desconectada en la caja de fusibles antes de realizar la instalación eléctrica, y no haga funcionar el ventilador sin las aspas.
2. Todos los procedimientos de conexión eléctrica e instalación deben cumplir con los Códigos eléctricos nacionales (ANSI/NFPA 70-1999) y Códigos locales. El ventilador de techo debe estar conectado a tierra a fin de prevenir posibles descargas eléctricas. La instalación eléctrica debe ser llevada a cabo o aprobada por un electricista autorizado.
3. Se debe fijar bien la base del ventilador; ésta debe ser capaz de soportar sin problemas al menos 15,9 kg (35 lb). Consulte la página 25 del manual del propietario para ver los requisitos de soporte. Si tiene dudas, consulte a un electricista calificado.
4. Las aspas del ventilador deben instalarse por lo menos a 2 m (7 pies) del suelo, a fin de evitar un contacto accidental con las mismas.
5. Siga las recomendaciones sobre el método correcto de instalación eléctrica de su ventilador de techo. Si no posee la experiencia o los conocimientos eléctricos adecuados, contrate a un electricista autorizado para instalar el ventilador.
6. Utilícelo solo con los kits de iluminación adecuados para ubicaciones seco.

ADVERTENCIA: Este producto está diseñado para ser utilizado sólo con las piezas suministradas o los accesorios indicados específicamente para el mismo. Si utiliza piezas o accesorios que no están indicados para su uso con este producto podría sufrir lesiones personales o dañar el ventilador.

ADVERTENCIA: Para reducir el riesgo de lesiones personales, no doble los soportes de aspas (borde o soporte de aspas) al instalar los soportes, balancear las aspas o limpiar el ventilador. No coloque objetos extraños entre las aspas del ventilador en funcionamiento.

ADVERTENCIA: Para reducir el riesgo de incendios o descargas eléctricas no utilice este ventilador con ningún dispositivo de control de velocidad de estado sólido.

ADVERTENCIA: A fin de reducir el riesgo de descargas eléctricas, desconecte el circuito de suministro eléctrico al ventilador antes de instalar el kit de iluminación.

GARANTÍA LIMITADA DE POR VIDA

Se extiende al comprador original de un ventilador Fanimation

1. GARANTÍA LIMITADA DE POR VIDA DEL MOTOR - Si se produjera una falla en alguna de las partes del motor de su ventilador debido a un defecto en los materiales o en la fabricación durante el tiempo de vida del comprador original, Fanimation proporcionará la pieza de repuesto sin cargo una vez que el ventilador defectuoso sea devuelto a nuestro centro de servicios nacional. Se requiere comprobante de venta. El cliente se hará responsable de todos los gastos de remoción o reinstalación y envío del producto para reparaciones o sustitución.
2. GARANTÍA DE MANO DE OBRA DEL MOTOR POR UN AÑO - Si el motor de su ventilador fallara antes de cumplirse un año a partir del momento de su compra original debido a defectos en los materiales o en la fabricación, se le efectuará la reparación del mismo sin cargo en nuestro centro de servicios nacional. El comprador se hará responsable de los gastos de mano de obra luego del periodo de un año. El cliente se hará responsable de todos los gastos de remoción o reinstalación y envío del producto para reparaciones o sustitución.
3. Si otra pieza del ventilador fallara dentro del periodo de un año a partir de la fecha de compra original debido a un defecto en los materiales o en la fabricación, repararemos o sustituiremos, según creamos conveniente, la pieza defectuosa sin cargo alguno en nuestro centro de servicios nacional.
4. Debido a las diversas condiciones climáticas, esta garantía no cubre cambios en la terminación, incluidos oxidación, corrosión, falta de brillo o peladuras.
5. Esta garantía es nula y no se aplica a daños por instalación incorrecta, negligencia, accidentes, uso indebido, exposición al calor o a la humedad en exceso, o como resultado de cualquier modificación realizada al producto original.
6. Todos los gastos de remoción y reinstalación del ventilador son responsabilidad exclusiva del propietario, y no de la tienda que vendió el ventilador ni de Fanimation.
7. Fanimation se reserva el derecho de modificar o discontinuar un producto en cualquier momento, o sustituir cualquier pieza según lo establecido por esta garantía.
8. En ningún caso se podrá devolver un ventilador sin previa autorización por parte de Fanimation. Las devoluciones autorizadas deberán ir acompañadas del recibo de venta y deberán enviarse a Fanimation, previo pago del flete. El ventilador que se devuelva deberá estar embalado en forma adecuada a fin de evitar daños durante el transporte. Fanimation no se hará responsable de los daños que resulten del embalaje incorrecto del producto.
9. Se entiende que las reparaciones y las sustituciones son el único recurso disponible de Fanimation. No existe ninguna otra garantía expresa o implícita. Por la presente, Fanimation niega todas las garantías implícitas, que incluyen, entre otras, la comerciabilidad y la aptitud para determinado fin hasta donde la ley lo permita. Algunos estados no permiten limitaciones sobre las garantías implícitas. Fanimation no se hará responsable por daños accidentales, resultantes o especiales derivados del uso o el rendimiento del producto o en conjunción con éste, excepto en los casos en los que la ley así lo disponga. Esta garantía le otorga derechos legales especiales y es posible que también goce de otros derechos que pueden variar según el estado.
10. Es normal que se produzca un cierto movimiento oscilante y esto no debe considerarse un problema o defecto.

Tabla de contenidos

Instrucciones para el desempaque	23	Cómo ensamblar su unidad de interruptor/unidad del kit de iluminación .31	
Uso eficiente de la energía en ventiladores de techo	24	Cómo utilizar su ventilador de techo	33
Requisitos eléctricos y estructurales	25	Solución de problemas	34
Cómo ensamblar el ventilador de techo	26	Mantenimiento	35
Cómo colgar el ventilador de techo	28	Limpieza de las aspas	35
Cómo realizar la instalación eléctrica del ventilador de techo	29	Lista de piezas—FP6244	36
Cómo instalar la carcasa de la cubierta	30	Ilustración del despiece—FP6244	37
Cómo ensamblar las aspas de techo	30	Lista de piezas—FP6245B	38
		Ilustración del despiece—FP6245B	39

Este manual está diseñado para facilitar al máximo el ensamblaje, la instalación, el funcionamiento y el mantenimiento de su ventilador de techo.

Herramientas necesarias para el ensamblaje

- Destornillador Phillips
- Escalera de tijera
- Destornillador de 1/4"
- Pelacables
- Tres conectores de cables (incluidos)

Materiales

La caja de distribución eléctrica y los conectores de la caja deben ser del tipo requerido por el código local. El cable más pequeño debe ser un cable de tres conductores (de dos conductores con conexión a tierra) del siguiente tamaño:

longitud del cable instalado	tamaño del cable según el A.W.G. (Calibre de Alambre Estadounidense)
hasta 15,2 m (50 pies)	14
de 15,2 a 30,5 m (50 a 100 pies)	12

NOTA: coloque las piezas de las bolsas de piezas individuales en un contenedor pequeño para evitar que se extravíen. Si faltan piezas, póngase en contacto con su proveedor local.

⚠ ADVERTENCIA

Antes de ensamblar el ventilador de techo, consulte la sección sobre el método correcto de instalación eléctrica del ventilador (página 29). Si siente que no posee la experiencia o los conocimientos eléctricos necesarios, contrate a un electricista autorizado para instalar el ventilador.

Instrucciones para el desempaque

Para su comodidad, marque cada uno de los pasos. A medida que completa cada paso, coloque una marca de verificación. Con esto se asegurará de completar todos los pasos y podrá saber desde dónde retomar si fuera interrumpido.

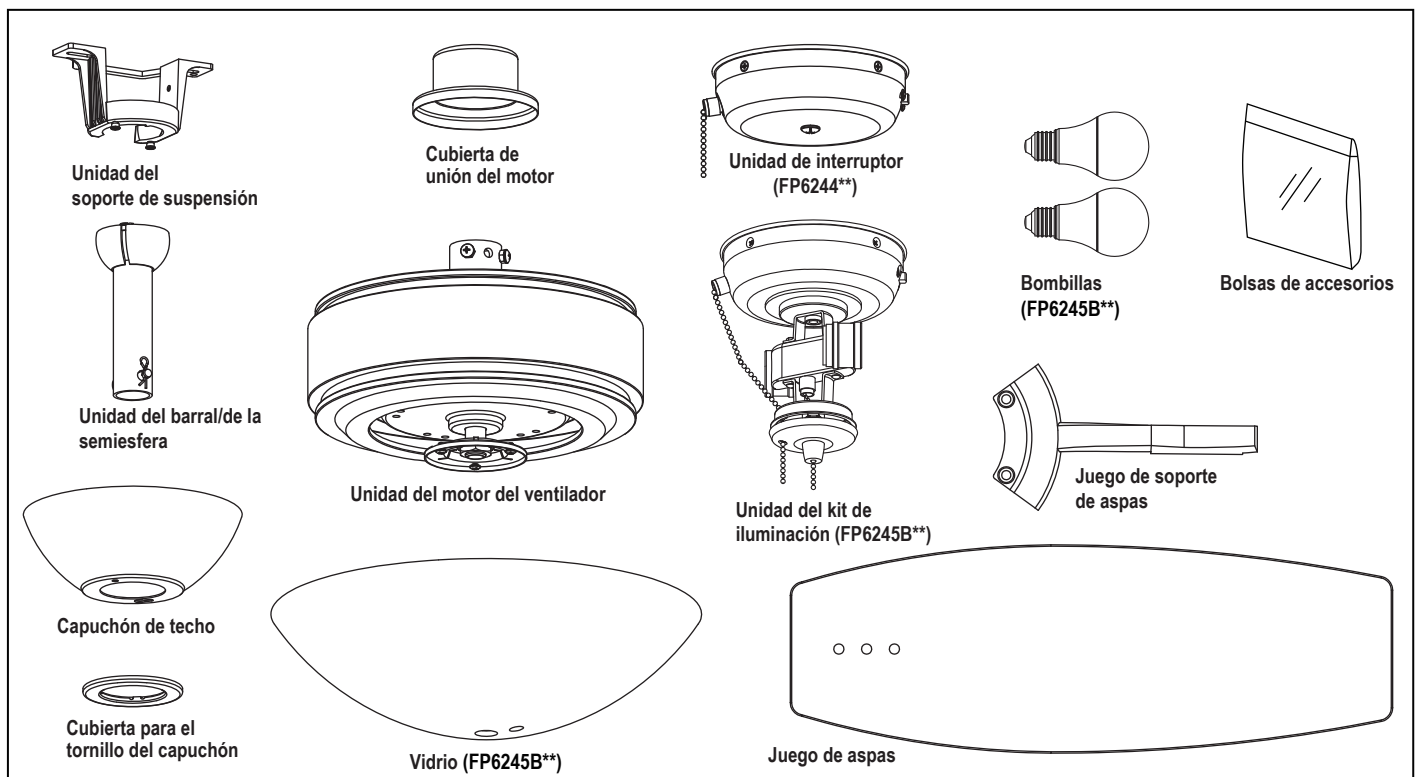
⚠ ADVERTENCIA

No instale ni utilice el ventilador si falta alguna pieza o si hay piezas dañadas. Este producto está diseñado para ser usado sólo con las piezas suministradas o los accesorios indicados por Fanimation específicamente para el mismo. La sustitución de piezas o accesorios no designados por Fanimation para usar con este producto podría ocasionar lesiones personales o daños en el ventilador. Póngase en contacto con su tienda si faltan piezas o hay piezas dañadas.

- Unidad del motor del ventilador
- Unidad del soporte de suspensión
- Unidad del barral/de la semiesfera
- Capuchón de techo
- Cubierta para el tornillo del capuchón
- Cubierta de unión del motor
- Unidad de interruptor (FP6244**)
- Unidad del kit de iluminación (FP6245B**)
- Vidrio (FP6245B**)
- Bombillas (FP6245B**)
- Juego de soporte de aspas
- Juego de aspas
- Bolsas de accesorios:
 - Tornillos con arandelas de seguridad de 1/4"-20 (soporte de aspas a buje del motor)
 - 3/16"-24 Tornillo de cabeza arandela (aspa a soporte de aspas)
 - Arandela de fibra
 - Kit de balanceo
 - Conectores de cables
 - Acoplador de la cadena del tirador del ventilador (FP6244** & FP6245B**)
 - Acoplador de la cadena del tirador del kit de iluminación (FP6245B**)

1. Verifique que haya recibido las siguientes piezas:

NOTA: Si no está seguro de la descripción de una pieza, consulte la ilustración del despiece.



Uso eficiente de la energía en ventiladores de techo

El nivel de rendimiento y ahorro de energía de los ventiladores de techo dependen de su correcta instalación y uso. A continuación le presentamos algunas sugerencias para asegurar un rendimiento eficiente del producto.

Selección del lugar de montaje adecuado

Los ventiladores de techo se deben instalar en el centro de la habitación, a 2,13 m (7 pies) de altura del piso como mínimo y 0,5 m (18 pulgadas) de las paredes. Si la altura del techo lo permite, instale el ventilador a 2,5 m (8-9 pies) por encima del suelo para un flujo de aire óptimo. Consulte en su tienda minorista de Fanimation para obtener accesorios de montaje opcionales.

Apague el ventilador cuando no se encuentre en la habitación

Los ventiladores son para refrescar a la gente, no a las habitaciones. Si la habitación está vacía, apague el ventilador de techo para ahorrar energía.

Uso del ventilador de techo todo el año

En verano: Use el ventilador de techo en sentido contrario a las agujas del reloj. El flujo de aire que produce el ventilador creará un efecto frío del aire que lo refrescará más. Seleccione una velocidad que le proporcione una brisa confortable. Las velocidades más bajas consumen menos energía.

En invierno: Invierta el motor y haga funcionar el ventilador de techo a velocidad baja y en el sentido de las agujas del reloj. Esto produce una suave corriente ascendente, que obliga al aire cálido que se acumula cerca del techo a bajar al espacio ocupado. No olvide ajustar el termostato cuando utilice el ventilador de techo. Con este sencillo paso puede ahorrar energía adicional y dinero.

Requisitos eléctricos y estructurales

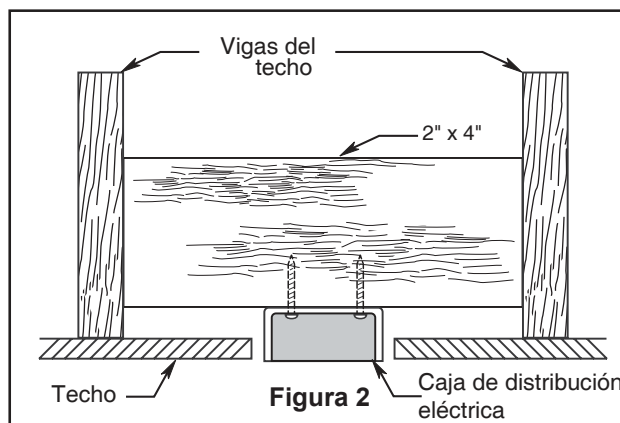
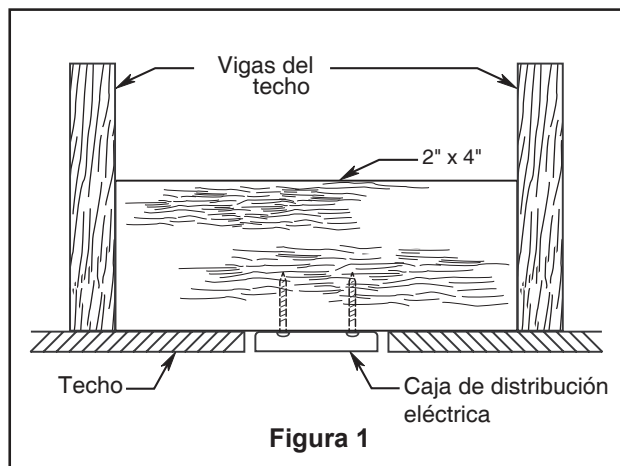
Su nuevo ventilador de techo requiere una línea de suministro eléctrico con conexión a tierra de 120 voltios de CA, 60 Hz, circuito de 15 amperios. La normativa eléctrica requiere el uso de una caja de distribución eléctrica para ventiladores que soporte el peso extra y el movimiento asociado a un ventilador de techo. La caja de distribución eléctrica será etiquetada como tal y soportará un ventilador de techo de un peso de hasta 70 libras. Dichas cajas varían en tipos y diseños. Asegúrese de que el tipo de su caja reúne los criterios para el ventilador que se está instalando. Las ilustraciones 1, 2 y 3 muestran las diferentes configuraciones estructurales que pueden ser utilizadas para dicha caja de distribución eléctrica.

Uso de perfil bajo (Figura 1)

La caja lisa de 1/2 pulgada de profundidad será atornillada a una viga o bloque. Se utilizará si solo un cable va a ser introducido en la caja. También está disponible en una configuración de montaje endosado.

Uso de perfil profundo (Figura 2)

La caja de 2-1/4 pulgada será atornillada a un bloque entre vigas que tenga suficiente espacio para colocar más de un cable.



Requisitos eléctricos y estructurales (cont.)

Uso del soporte (Figura 3)

Conectado a una caja de distribución eléctrica, este colgador sirve para abarcar el espacio entre dos vigas y ocupar el lugar de bloqueo de la madera.

⚠ ADVERTENCIA

Para reducir el riesgo de incendios, descargas eléctricas o lesiones personales, fije el ventilador a la caja de distribución eléctrica marcada como aceptable para soporte de ventilador de 15,88kg (35lb). Utilice los tornillos suministrados con la caja de distribución eléctrica. La mayoría de las cajas de distribución eléctrica que comúnmente se utilizan como soporte de lámparas no son aptas para soporte de ventiladores y es posible que deban reemplazarse. Consulte a un electricista calificado si tiene dudas.

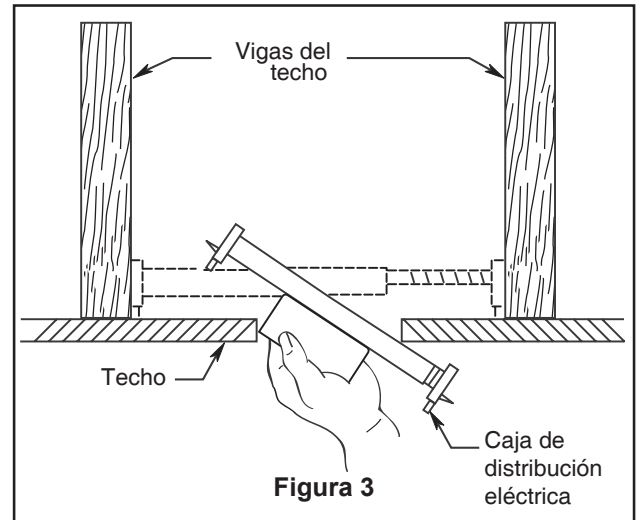
Si su ventilador va a sustituir una instalación de iluminación existente, desconecte la electricidad de la caja del fusible principal en esta ocasión y extraiga la unidad de iluminación.

⚠ ADVERTENCIA

Apagar el interruptor de pared no es suficiente. Para evitar posibles descargas eléctricas, asegúrese de que la electricidad esté desconectada en la caja de fusibles principal antes de realizar la instalación eléctrica. Toda instalación eléctrica debe cumplir con los códigos nacionales y locales y el ventilador de techo debe tener la conexión a tierra adecuada como forma de precaución ante posibles descargas eléctricas.

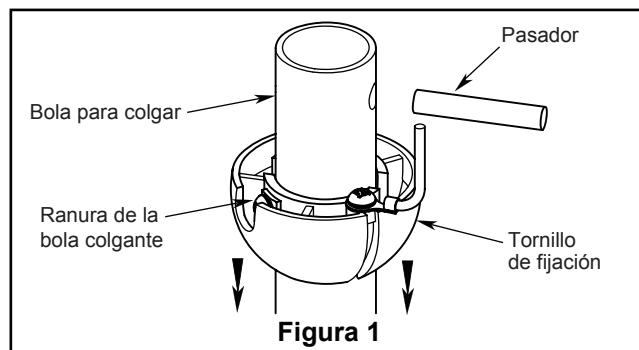
⚠ ADVERTENCIA

A fin de evitar incendios o descargas eléctricas, siga con cuidado todas las instrucciones de instalación eléctrica. Cualquier trabajo eléctrico que no se describa en estas instrucciones deberá ser realizado o aprobado por un electricista autorizado.

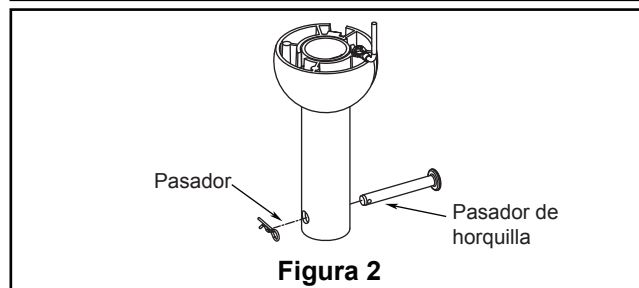


Cómo ensamblar el ventilador de techo

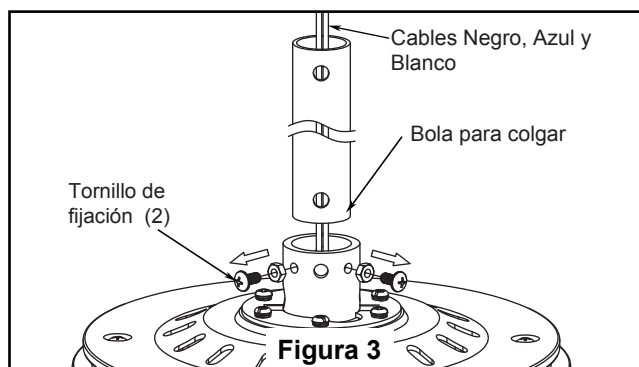
1. Extraiga la pieza de la bola colgante de la unidad de la bola colgante / varilla aflojando el tornillo de presión de la bola colgante hasta que la bola se libere de la varilla. Retire el pasador del barril y luego extraiga la semiesfera. Conserve el pasador y la semiesfera para su reinstalación en el Paso 6 (Figura 1).



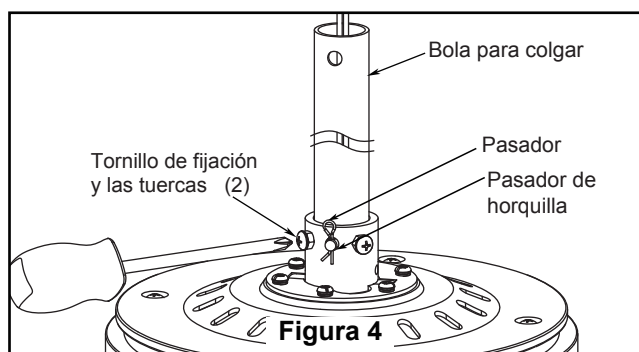
2. Retire el clip de horquilla y pasador de horquilla de la parte inferior de la bola para colgar. Retener el pasador y clip para la reinstalación en el paso 4. (Figura 2)



3. Afloje los dos tornillos de fijación del soporte del barril. Introduzca los cables de color negro, azul y blanco a través de la varilla. (Figura 3)



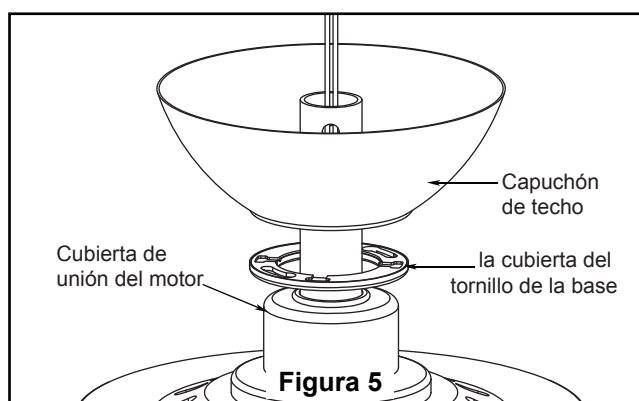
4. Coloque el soporte de la varilla y alinee los orificios de la clavija de horquilla en ambas piezas. Instale la clavija de horquilla y asegúrela con la pinza de horquilla. Fije los dos tornillos de presión y las tuercas de seguridad en el soporte de la varilla interior. (Figura 4)



⚠ ADVERTENCIA

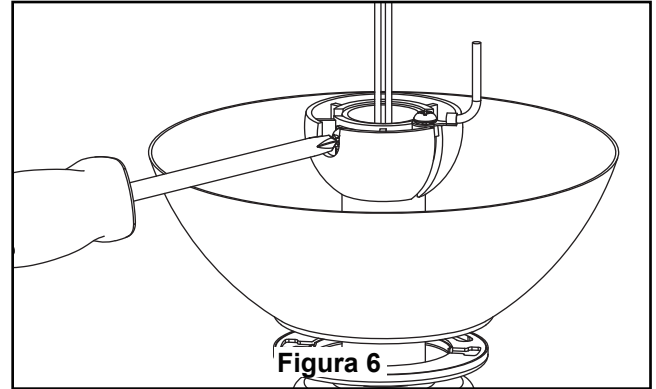
Es fundamental que instale correctamente el pasador de horquilla en el soporte de la varilla, y que ajuste firmemente los tornillos de fijación y las tuercas. El incumplimiento de dicho paso podría hacer que el ventilador se caiga.

5. Pase los cables a través de la cubierta de unión del motor, la cubierta para el tornillo y el capuchón. (Figura 5)



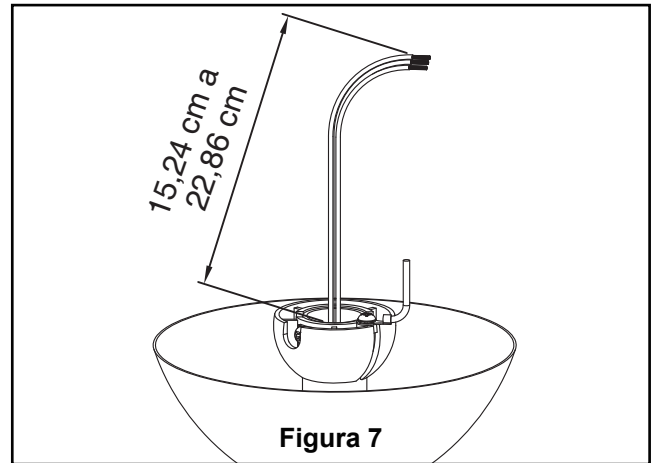
Cómo ensamblar el ventilador de techo (cont.)

6. Vuelva a colocar la semiesfera en el barral como se indica a continuación. Pase los tres cables de cables de blanco, negro y azul cable de soporte para techo a través de la semiesfera. Pase el pasador a través de los dos orificios en el barral y alinee la semiesfera de modo que el pasador quede atrapado en la ranura de la parte superior de la misma. Empuje la semiesfera hacia arriba, bien ajustada contra el pasador. Ajuste firmemente el tornillo de fijación en la semiesfera. Si el tornillo de fijación está flojo, podría provocar oscilación del ventilador. (Figura 6)



7. Corte el exceso de cable aproximadamente de 15 a 23 cm (6 a 9 pulgadas) por encima de la parte superior del barral. Pele 1,2 cm (1/2") del aislamiento en cada extremo del cable. (Figura 7)

NOTA: Se deben revisar todos los tornillos de fijación y volver a ajustarlos cuando sea necesario antes de realizar la instalación.



Cómo colgar el ventilador de techo

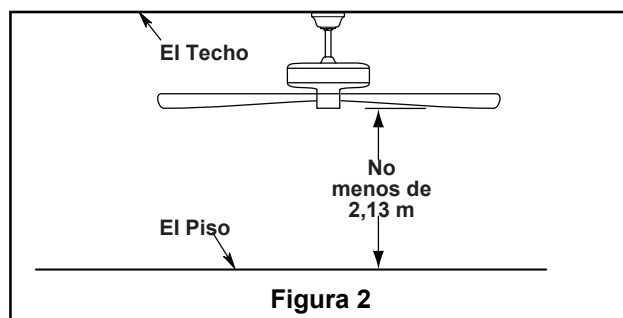
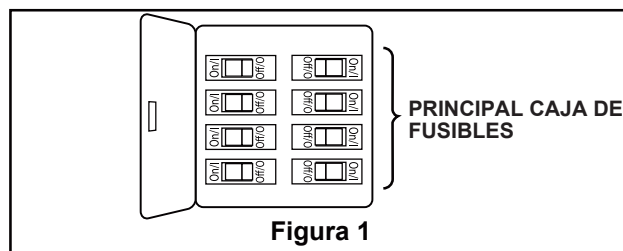
⚠ ADVERTENCIA

Para evitar una posible descarga eléctrica, asegúrese de cortar la alimentación eléctrica de la caja de fusibles principal antes de colgar el ventilador. (Figura 1)

NOTA: Si no está seguro de si la caja de salida tiene conexión a tierra, pida consejo a un electricista certificado, ya que debe tener conexión a tierra para un funcionamiento seguro.

⚠ ADVERTENCIA

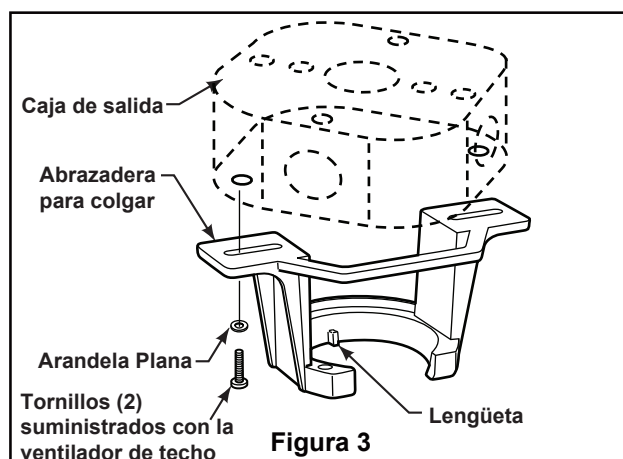
Debe colgar el ventilador a una distancia mínima de 2,13 m desde las aspas hasta el piso. (Figura 2)



1. Fije bien la abrazadera para colgar a la caja de salida (no se incluye) con los tornillos y las arandelas provistas con la caja de salida. (Figura 3)

⚠ ADVERTENCIA

La caja de salida debe estar bien asegurada. La abrazadera para colgar debe estar bien asentada contra la caja de salida. Si la caja de salida está empotrada, retire el panel hasta que la abrazadera haga contacto con la caja. Si la abrazadera y/o la caja de salida no están bien aseguradas, el ventilador podría tambalearse o caerse.



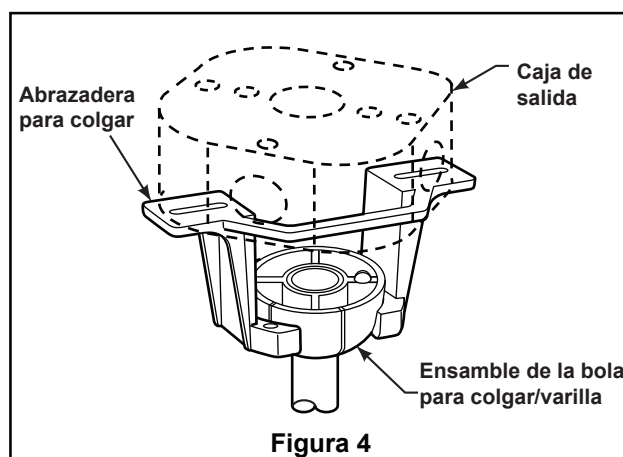
2. Levante cuidadosamente el ventilador y coloque el ensamble de la bola para colgar/varilla en la abrazadera para colgar que acaba de fijar a la caja de salida. Asegúrese de que la ranura de la bola esté alineada con la lengüeta de la abrazadera para colgar. (Figura 4)

⚠ ADVERTENCIA

Si no coloca la lengüeta en la ranura, podrían dañarse los cables eléctricos y podrían ocurrir incendios o descargas eléctricas.

⚠ ADVERTENCIA

Para evitar una posible descarga eléctrica, no apriete los cables entre el ensamble de la bola para colgar y la abrazadera para colgar.



Cómo realizar la instalación eléctrica del ventilador de techo

⚠ ADVERTENCIA

Para evitar una posible descarga eléctrica, asegúrese de cortar la alimentación eléctrica de la caja de fusibles principal antes de colgar el ventilador. (Figura 1)

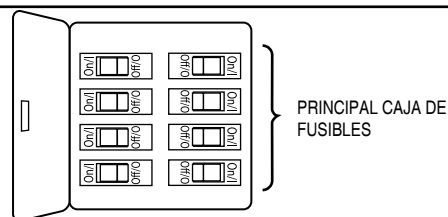


Figura 1

1. Conecte el conductor verde con conexión a tierra de la bola para colgar y el conductor verde con conexión a tierra de la abrazadera para colgar al conductor de suministro con conexión a tierra (posiblemente un conductor desnudo o un cable con aislante verde). Conecte los cables a los conectores provistos de forma segura. Conecte el conductor blanco. (Figura 2)
2. provistos de forma segura. Conecte el conductor blanco del motor del ventilador al conductor blanco (neutro) mediante el conector provisto de forma segura. Conecte el conductor negro del motor del ventilador y el conector azul al conductor negro mediante el conector provisto de forma segura. (Figura 2)

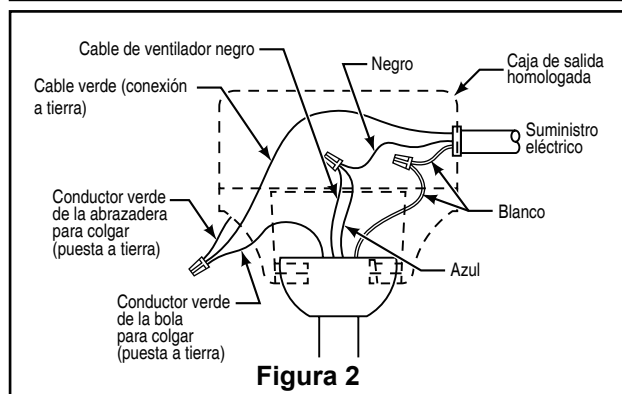


Figura 2

Aditamentos utilizados:

Conectores de cable  X 3

3. Luego de empalmar los cables y realizar la conexión, sepárelos y dóblelos hacia arriba con el conductor con conexión a tierra y el conductor con conexión a tierra del equipo debe ir en un lado de la caja de distribución eléctrica y el conductor sin conexión a tierra debe ir del otro lado. (Figura 3)

⚠ ADVERTENCIA

Verifique que todas las conexiones estén ajustadas, incluida la conexión a tierra, y que no haya conductores desnudos visibles en los conectores, excepto el conductor con conexión a tierra. No opere el ventilador hasta que las aspas estén instaladas. Podría ocasionar ruidos y daños al motor.

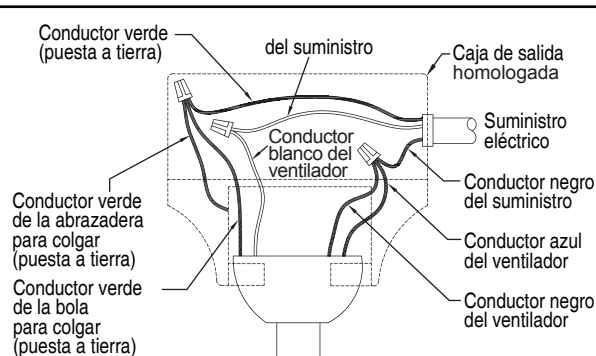


Figura 3

Cómo instalar la carcasa de la cubierta

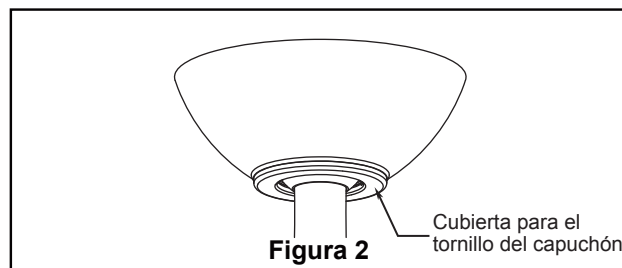
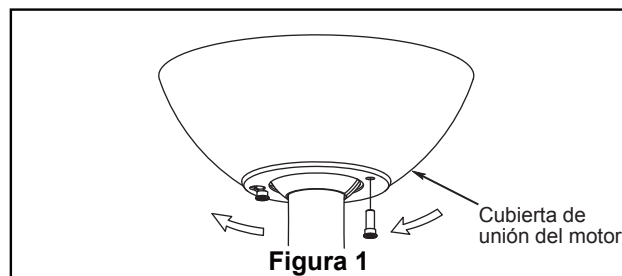
NOTA: Este paso se debe realizar luego de completar la completada. instalación eléctrica necesaria.

1. Extraiga una de los tornillos de hombro en el soporte del gancho. Afloje el segundo tornillo de hombro sin extraiga completamente. Instale la cubierta rotando la ranura clave en la cubierta sobre el tornillo de hombro del soporte del gancho. Fije el tornillo de hombro. Instale adecuadamente y fije el segundo tornillo de hombro que fue anteriormente guardado. (Figura 1)

⚠ ADVERTENCIA

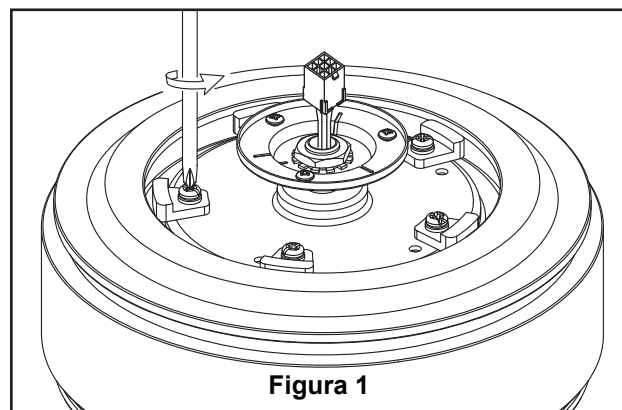
Para evitar posibles incendios o descargas eléctricas, asegúrese de que los cables eléctricos vuelva hacia arriba y completamente empujarse con cuidado en el cuadro de juntura y de que no estén aprisioel techo.

2. Coloque y ajuste firmemente la cubierta para el tornillo de la base sobre los tornillos de reborde de la abrazadera para colgar mediante el mecanismo de seguro por giro del chavetero. (Figura 2)

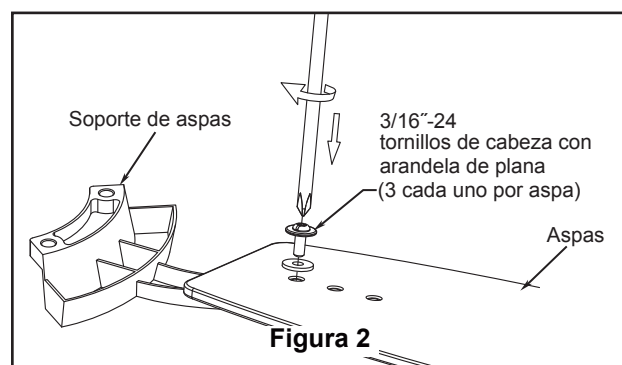


Cómo ensamblar las aspas de techo

1. Retire y deseche los toques del motor del ensamble del motor quitando los tornillos. (Figura 1)



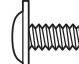
2. Coloque el aspa sobre el soporte de aspas con los pilotes roscados a la vista. Asegúrese de que la parte inferior del aspa se encuentre bien apoyada sobre el soporte. Con un destornillador Phillips, fije los tornillos de cabeza de 3/16"-24 con arandela de fibra para asegurar la placa en el brazo de sujeción de las palas. (Figura 2)



PRECAUCIÓN

No conecte las aspas hasta que el ventilador esté totalmente instalado. Instalar el ventilador con las aspas colocadas podría ocasionar daños en las mismas.

Aditamentos utilizados:

3/16"-24
Tornillo de cabeza
de arandela  x 15

Arandela de fibra  x 15

Cómo ensamblar las aspas de techo (cont.)

- 3.** Fije los soportes de aspas al soporte del motor mediante los tornillos de 1/4"-20 a través de los orificios ubicados al costado del soporte del motor. (Figura 3)

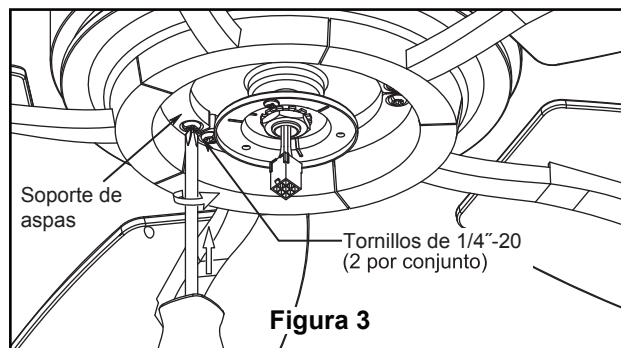
NOTA: Revise periódicamente las piezas de los soportes de las aspas y vuelva a ajustarlas si fuese necesario.

ADVERTENCIA

Para reducir el riesgo de lesiones personales, no doble los soportes de aspas al instalarlos, balancear las aspas o limpiar el ventilador. No coloque objetos extraños entre las aspas del ventilador en funcionamiento.

PRECAUCIÓN

A fin de reducir el riesgo de descargas eléctricas, desconecte el circuito de suministro eléctrico al ventilador antes de instalar el kit de iluminación.

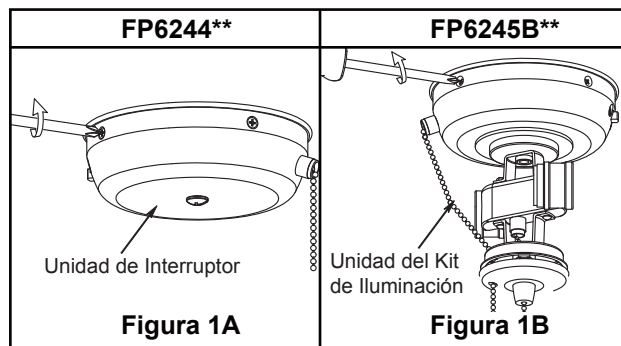


Aditamentos utilizados:

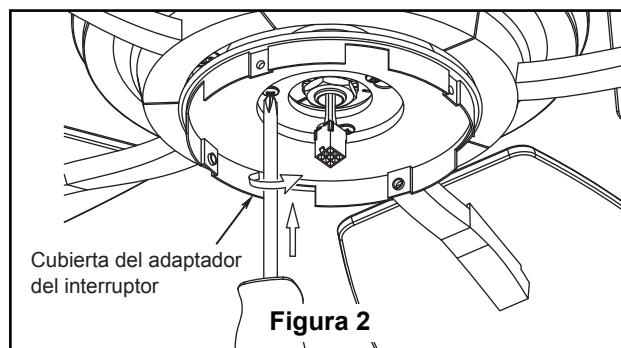
Tornillos de 1/4"-20  x 10

Cómo ensamblar su unidad de interruptor/unidad del kit de iluminación

- 1A—FP6244**.** Extraiga los tres tornillos desde el unidad de interruptor. Guárdelos para el paso 4. (Figura 1A)
- 1B—FP6245B**.** Extraiga los tres tornillos desde el unidad del kit de iluminación. Guárdelos para el paso 4. (Figura 1B)

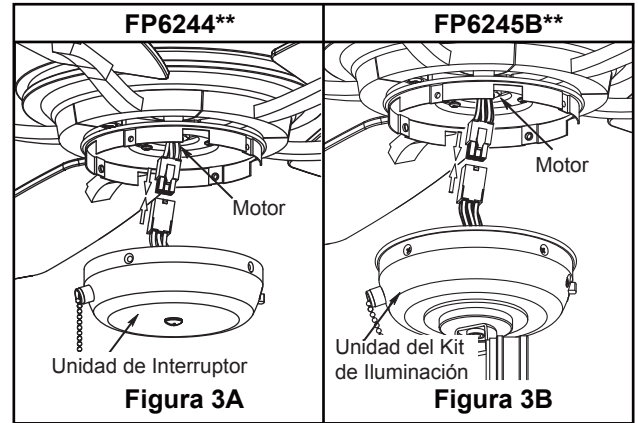


- 2.** Extraiga uno de los tres tornillos del soporte colgant. Afloje ligeramente los dos tornillos restantes. Instale la cubierta del adaptador en el soporte de la cubierta usando las dos ranuras claves de la cubierta del adaptador del interruptor. Vuelva a colocar el tercer tornillo y fije los tres tornillos adecuadamente. (Figura 2)

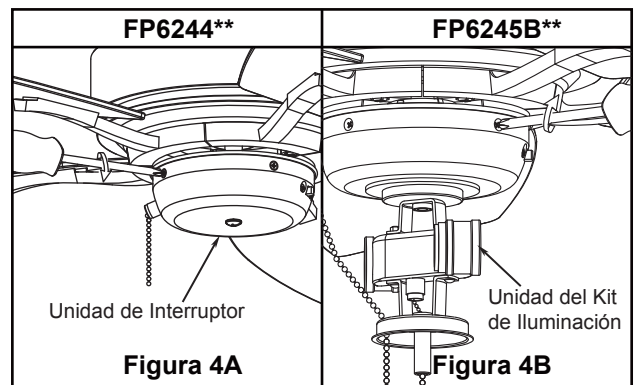


Cómo ensamblar su unidad de interruptor/unidad del kit de iluminación (cont.)

- 3A—FP6244**.** Fije adecuadamente el adaptador de 9 pines desde el motor a la sujeción del arnés del cable ubicado dentro de la unidad de Interruptor. (Figura 3A)
- 3B—FP6245B**.** Fije adecuadamente el adaptador de 9 pines desde el motor a la sujeción del arnés del cable ubicado dentro de la unidad del kit de iluminación. (Figura 3B)



- 4A—FP6244**.** Instale la caja del interruptor a la adaptador de la carcasa del interruptor utilizando los tornillos retirados previamente y fíjelas adecuadamente. (Figura 4A)
- 4B—FP6245B**.** Instale la kit de iluminación a la adaptador de la carcasa del interruptor utilizando los tornillos retirados previamente y fíjelas adecuadamente. (Figura 4B)

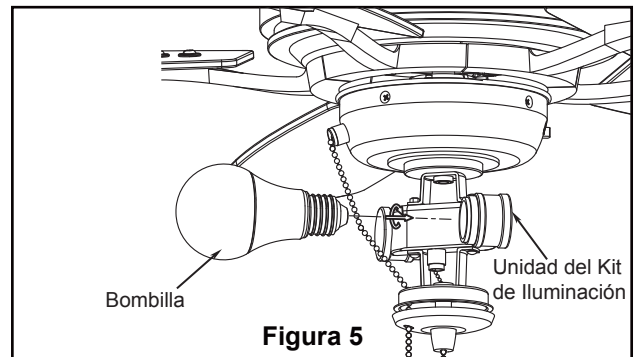


NOTA: Si ha instalado su ventilador sin la kit de iluminación (FP6244**) sáltese los pasos 5 a 6.

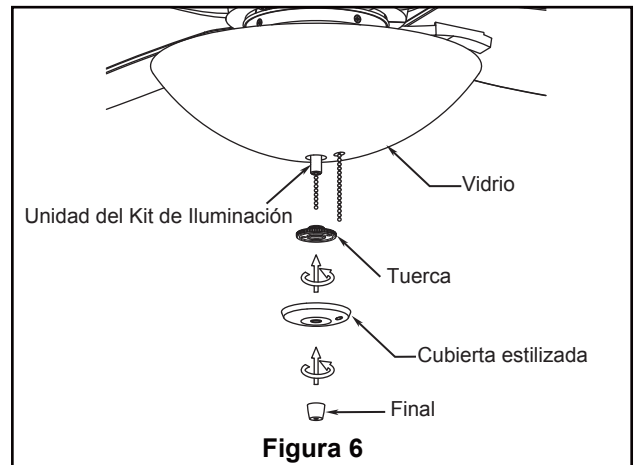
- 5.** Introduzca la bombillas en la conexión. (Figura 5)

PRECAUCIÓN

A fin de reducir el riesgo descargas eléctricas, desconecte el circuito de suministro eléctrico al ventilador antes de instalar el kit de iluminación.



- 6.** Desmonte la final, cubierta estilizada y tuerca en la unidad del kit de iluminación. Asegure la carcasa de vidrio en la unidad del kit de iluminación utilizando la tuerca suministrada. A continuación, instale la cubierta estilizada seguida de la decoración final. No presione las piezas demasiado. (Figura 6)



Cómo utilizar su ventilador de techo

- 1.** Restaure la fuente de alimentación de la toma de corriente enciendo la electricidad del fusible principal. (Figura 1)

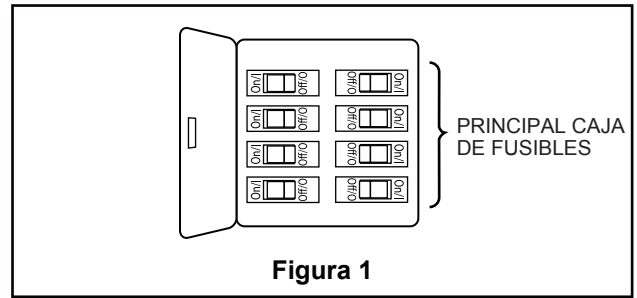


Figura 1

- 2A.** Instale los acoplador de la cadena del tirador del ventilador. (Figura 2A)
- 2B.** Instale los acoplador de la cadena del tirador del ventilador y acoplador de la cadena del tirador del kit de iluminación. (Figura 2B)

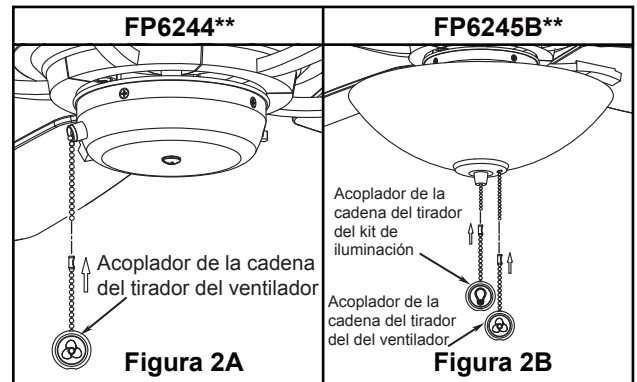


Figura 2A

Figura 2B

- 3.** Verifique el funcionamiento del ventilador tirando levemente de la cadena de encendido/apagado para el control de la velocidad. (Figura 3)

Secuencia de funcionamiento de la cadena del tirador	
1.ª tirada	Alta
2.ª tirada	Media
3.ª tirada	Baja
4.ª tirada	Apagado

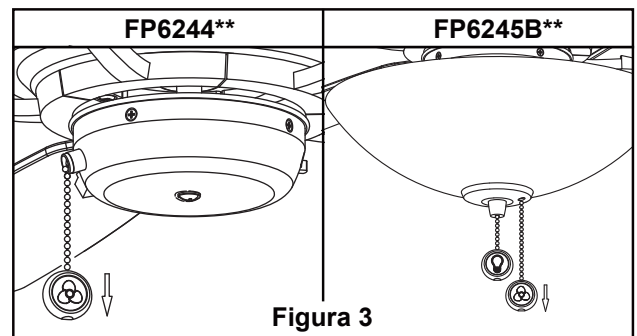


Figura 3

- 4. « SÓLO FP6245B** »**
Comprobar el funcionamiento de la luz hacia abajo tirando suavemente de la cadena del tirón luz. (Figura 4)

Secuencia de funcionamiento de la cadenilla del kit de iluminación	
1.ª tirada	Encendido
1.ª tirada	Apagado

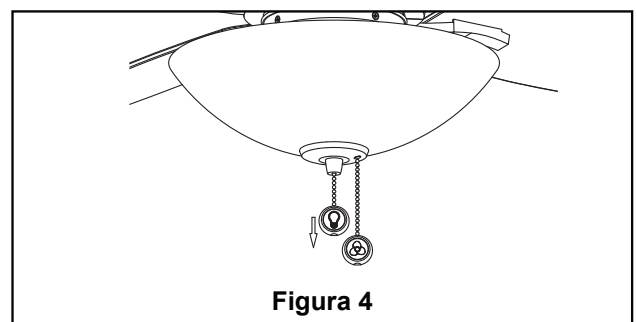


Figura 4

- 5.** Si desea que el flujo de aire se desplace en la dirección opuesta, apague el ventilador y espere a que las aspas se detengan. Luego deslice el conmutador inversor a la posición contraria y vuelva a encender el ventilador. (Figura 5)

Información sobre el interruptor de reversa		
Temporada	Dirección de rotación	Posición del interruptor
Verano	En dirección con traria a las manecillas del reloj	Izquierda
Invierno	En dirección de las manecillas del reloj	Derecha

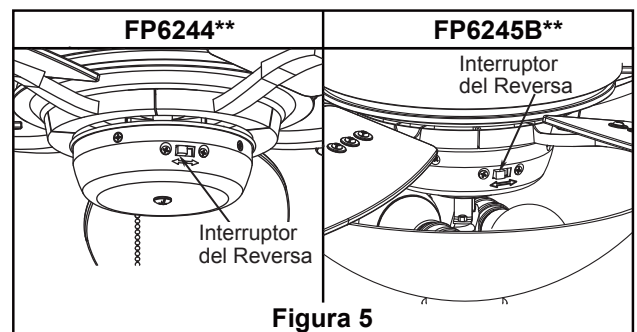


Figura 5

Solución de problemas

⚠ ADVERTENCIA

Para su propia seguridad, desconecte la electricidad de la caja de fusibles o disyuntor antes de solucionar problemas en su ventilador.

Problema	Causa posible	Solución sugerida
1. EL VENTILADOR NO ARRANCA	<ol style="list-style-type: none"> 1. El fusible o el disyuntor están fundidos. 2. Las conexiones eléctricas del ventilador o del interruptor en la caja del interruptor están flojas. 3. Pila agotada del mando a distancia. 	<ol style="list-style-type: none"> 1. Controle los fusibles del circuito principal y derivado o los disyuntores. 2. Controle las conexiones eléctricas del ventilador y del interruptor en las cajas de los interruptores. <p>PRECAUCIÓN: ¡Asegúrese de que el suministro principal de electricidad esté desconectado!</p> <ol style="list-style-type: none"> 3. Sustituir con una pila nueva.
2. EL VENTILADOR HACE RUIDO	<ol style="list-style-type: none"> 1. Las aspas no están sujetas al ventilador 2. Hay tornillos flojos en la caja del motor. 3. Los tornillos que aseguran los soportes de las aspas al buje del motor están flojos. 4. Los conectores de cables dentro de la caja hacen ruido. 5. Los tornillos que sujetan las aspas a los soportes de aspas están flojos. 6. Los tornillos que sujetan las aspas a los soportes de aspas están flojos. 	<ol style="list-style-type: none"> 1. Ajuste las aspas al ventilador antes de ponerlo en funcionamiento. 2. Asegúrese de que todos los tornillos de la caja del motor estén bien ajustados (pero no en exceso). 3. Asegúrese de que los tornillos que fijan los soportes de aspas al buje del motor del ventilador estén bien ajustados. 4. Asegúrese de que los conectores de cables en la caja del interruptor no produzcan ruido al rozar unos con otros o al rozar la pared interior de la caja del interruptor. <p>PRECAUCIÓN: ¡Asegúrese de que el suministro principal de electricidad esté desconectado!</p> <ol style="list-style-type: none"> 5. Ajuste bien los tornillos. 6. Ajuste bien los tornillos.
3. EL VENTILADOR OSCILA EN EXCESO	<ol style="list-style-type: none"> 1. El tornillo de fijación y la tuerca del soporte de barral están flojos. 2. El tornillo de fijación en la unidad del barral/de la semiesfera está flojo. 3. Los tornillos que aseguran los soportes de las aspas al buje del motor están flojos. 4. Los soportes de aspas no están colocados correctamente. 5. El soporte de suspensión o la caja de distribución eléctrica del techo no están bien asegurados. 6. Las aspas del ventilador están desbalanceadas. 	<ol style="list-style-type: none"> 1. Ajuste bien los dos tornillos de fijación y las tuercas en el soporte de barral. 2. Ajuste el tornillo de fijación en la unidad del barral/de la semiesfera. 3. Asegúrese de que los tornillos que fijan los soportes de aspas al buje del motor del ventilador estén bien ajustados. 4. Asegúrese de que los soportes de las aspas del ventilador estén colocados firmemente y de manera uniforme en relación con la superficie de la caja del motor. Si los soportes están mal colocados, afloje los tornillos y vuelva a ajustarlos. 5. Ajuste los tornillos del soporte de suspensión de la caja de distribución eléctrica y asegúrela. 6. Equilibrar las palas utilizando el kit de equilibrado ofrecido en la bolsa de hardware.
4. NO HAY SUFICIENTE MOVIMIENTO DE AIRE		<ol style="list-style-type: none"> 1. Si es posible, considere el uso de un barral más largo. Por ejemplo (no incluido, usted puede comprar el tiempo de la vara hacia abajo fanimation.com)

Mantenimiento

El único mantenimiento necesario para el ventilador de techo es una limpieza periódica.

Al llevar a cabo la limpieza, use sólo un cepillo suave o un paño sin pelusas, para evitar rayar el acabado.

No se requieren agentes abrasivos de limpieza; los mismos deben evitarse para prevenir daños en el acabado.

PRECAUCIÓN

No utilice solventes para limpiar el ventilador de techo. Podrían dañar el motor o las aspas y ocasionar posibles descargas eléctricas.
--

Limpieza de las aspas

Se recomienda limpiar el polvo de las aspas periódicamente. Lo mejor es utilizar un plumero.

Evite usar agua, productos de limpieza o trapos ásperos, que pueden combar o dañar las aspas.

Lista de piezas

Modelos N° FP6244**

N.° de Ref.	Descripción	Pieza # N.°
1	Unidad del soporte de suspensión	APGAC110BL
2	Unidad del barral/de la semiesfera	ADRAC1-45**
3	Capuchón de techo	PPAC1012**
4	Cubierta para el tornillo del capuchón	APPAC1101**
5	Cubierta de unión del motor	APPAC1411**
6	Unidad del motor del ventilador	AMA6244**
7	Juego de soporte de aspas	AP624412**
8	Juego de aspas	AP624405**
9	Unidad de interruptor	AP624404**
10	Bolsa de accesorios que contiene:	HDWFP6244**
—	Kit de balanceo	—
—	Conectores de cables (4)	—
—	Acoplador de la cadena del tirador del ventilador	—
	Bolsa de accesorios para el montaje de aspas que contiene:	
—	3/16"-24 Tornillo de cabeza arandela (16)	—
—	Arandela de fibra (16)	—
	Bolsa de accesorios para el montaje de los soportes de aspas que contiene:	
—	Tornillos con arandelas de seguridad de 1/4"-20 (11)	—

***Inserte los CÓDIGOS DE ACABADO (consulte el número de modelo del ventilador que se encuentra en el soporte de barral)*

Antes de desechar los materiales de embalaje, asegúrese de haber extraído todas las piezas

Cómo hacer un pedido de piezas

Al hacer un pedido de piezas de repuesto, proporcione siempre la siguiente información:

- Número de pieza
- Descripción de la pieza
- Número de modelo del ventilador

Póngase en contacto con su tienda para obtener las piezas de repuesto.

Aire Deluxe™
Modelo N.º FP6244**
Ilustración del despiece

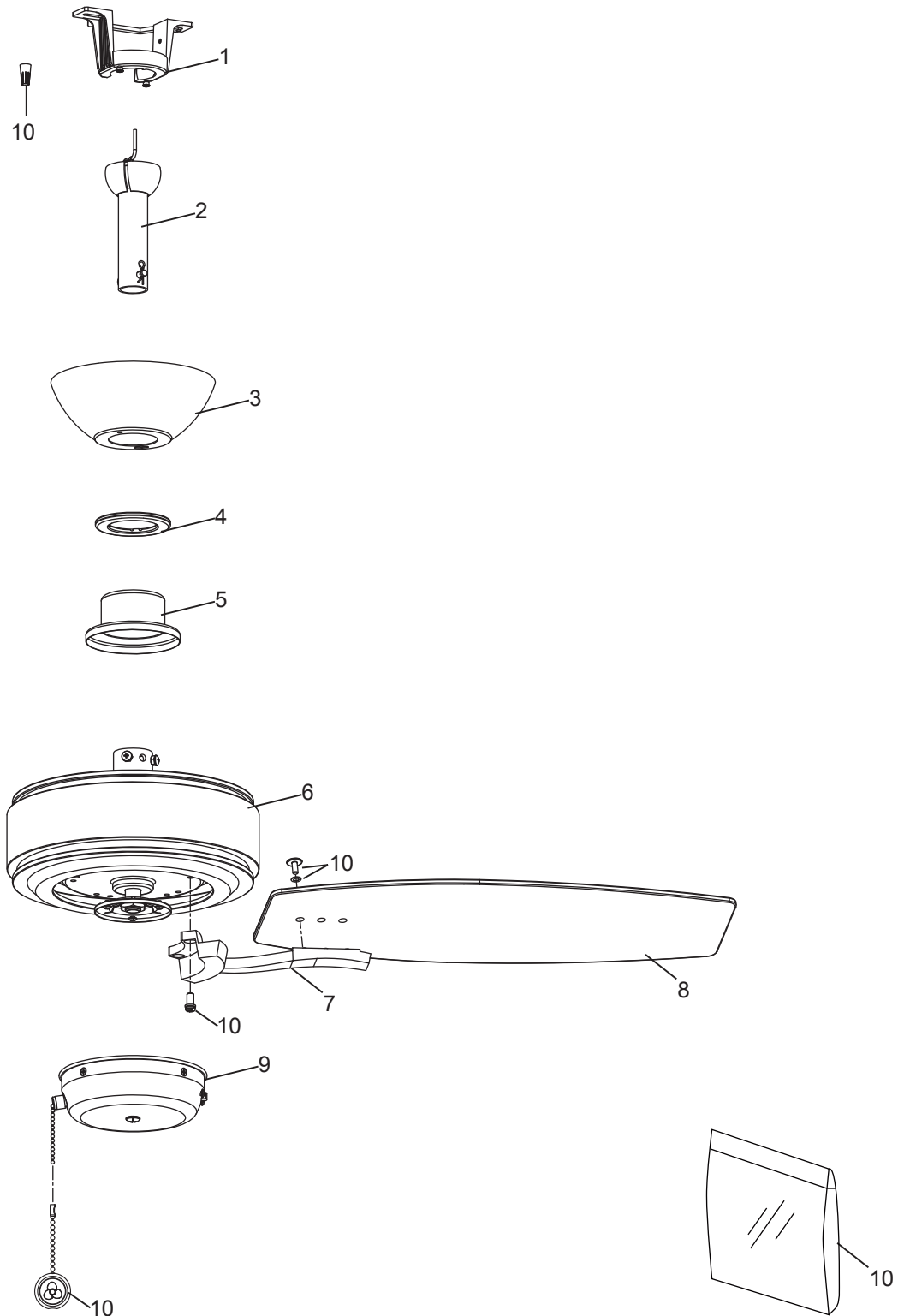


Figura 1

NOTA: La ilustración que se muestra no está hecha a escala y su configuración real o las terminaciones puede variar

Lista de piezas

Modelos N° FP6245B**

N.° de Ref.	Descripción	Pieza # N.°
1	Unidad del soporte de suspensión	APGAC110BL
2	Unidad del barral/de la semiesfera	ADRAC1-45**
3	Capuchón de techo	PPAC1012**
4	Cubierta para el tornillo del capuchón	APPAC1101**
5	Cubierta de unión del motor	APPAC1411**
6	Unidad del motor del ventilador	AMA6245**
7	Juego de soporte de aspas	AP624412**
8	Juego de aspas	AP624405**
9	Unidad del kit de iluminación	AP624501B**
10	Vidrio	P624501FW
11	Bombillas (2)	PPE27L10
12	Bolsa de accesorios que contiene:	HDWFP6245**
—	Kit de balanceo	—
—	Conectores de cables (4)	—
—	Acoplador de la cadena del tirador del ventilador	—
—	Acoplador de la cadena del tirador del kit de iluminación	—
	Bolsa de accesorios para el montaje de aspas que contiene:	
—	3/16"-24 Tornillo de cabeza arandela (16)	—
—	Arandela de fibra (16)	—
	Bolsa de accesorios para el montaje de los soportes de aspas que contiene:	
—	Tornillos con arandelas de seguridad de 1/4"-20 (11)	—

***Inserte los CÓDIGOS DE ACABADO (consulte el número de modelo del ventilador que se encuentra en el soporte de barral)*

Antes de desechar los materiales de embalaje, asegúrese de haber extraído todas las piezas

Cómo hacer un pedido de piezas

Al hacer un pedido de piezas de repuesto, proporcione siempre la siguiente información:

- Número de pieza
- Descripción de la pieza
- Número de modelo del ventilador

Póngase en contacto con su tienda para obtener las piezas de repuesto.

Aire Deluxe™
Modelo N.º FP6245B**
Ilustración del despiece

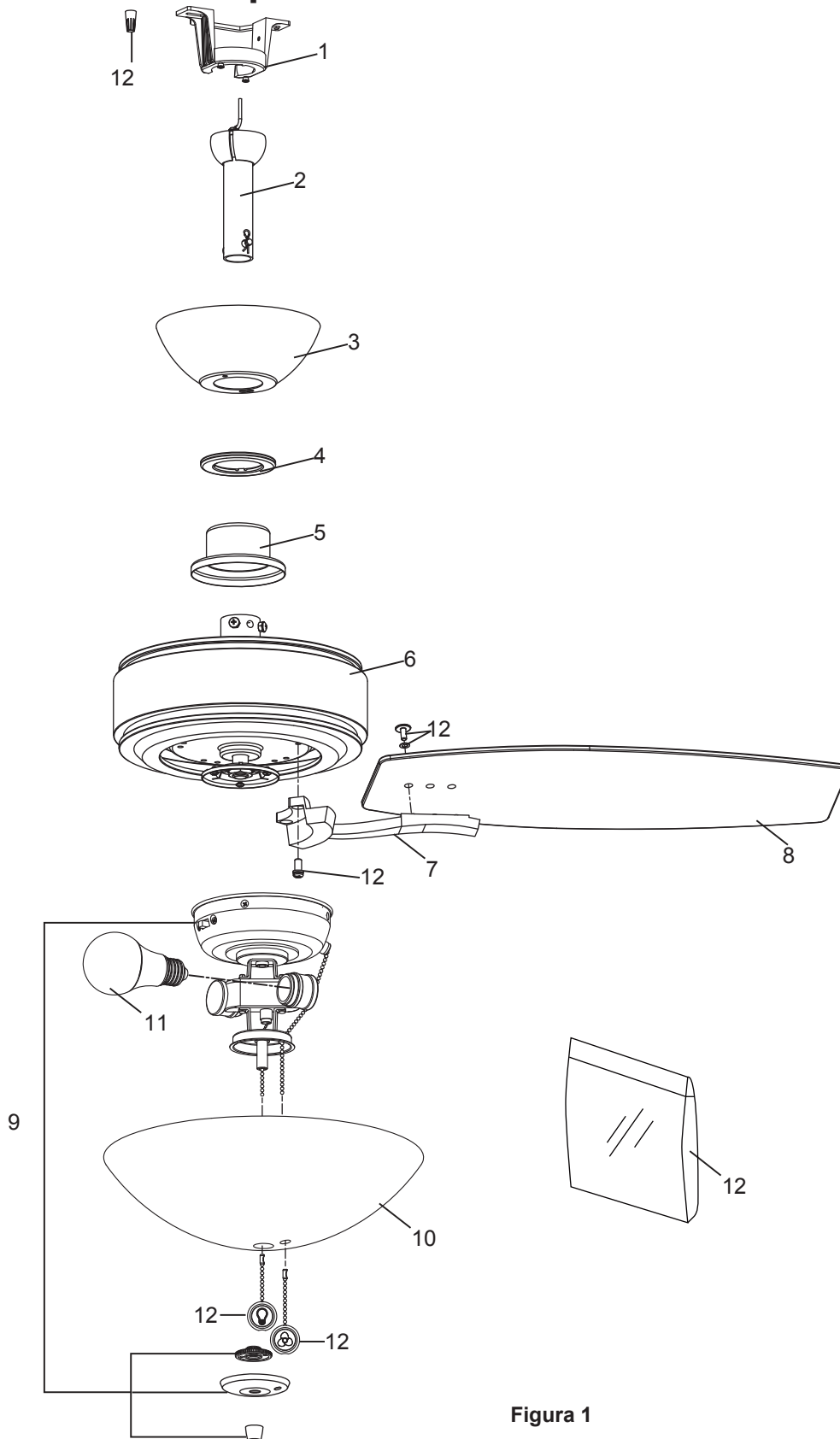


Figura 1

NOTA: La ilustración que se muestra no está hecha a escala y su configuración real o las terminaciones puede variar



10983 Bennett Parkway
Zionsville, IN 46077
Llame sin cargo al (888) 567-2055
FAX (866) 482-5215
Desde fuera de los EE.UU., llame al (317) 733-4113
Visite nuestro sitio Web en www.fanimation.com

2017/02 V.01
Copyright 2017 Fanimation