

Features

- Pro 30 includes non-anodized mounting plate and double anodized faceplate insert
- Frosted lens protects light source while evenly diffusing light
- Field cuttable mounting extrusion, insert and lens
- Aluminum provides excellent heat dissipation
- End caps available for a tailored look
- Compatible with all Trulux Tape Light (Pro 30 can house side-by-side rows of single color tape)

Available Lengths

39-3/8" (1 meter)

Available Finishes



Anodized Aluminum

Compatible Tape Light

- Trulux Single Color
- Trulux Tunable CCT
- Trulux RGB / RGB+WW

TRULUX™ Pro 30 Extrusion

The robust angled Pro30 for indoor use, includes the corner mounting plate and the faceplate insert. Clips (four per meter), right and left ends, and lens make the complete fixture. The faceplate insert is double anodized aluminum and the mounting plate is non-anodized aluminum. Use under cabinets, in bar areas, and for retail displays. Either the long or short side can be mounted to the horizontal surface for window framing.

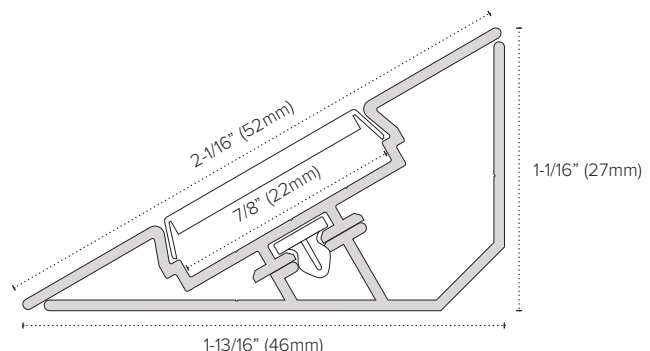
Best suited applications:

Task lighting, undercabinet, in-cabinet, display cases, shelving

Ordering Information

PE-PRO30-1M*	Pro 30 Corner Extrusion with Faceplate Insert
PE-PRO30LENS-1M*	Frosted Polycarbonate UV Lens
PE-PRO30-RIGHT*	Pro 30 End Cap (Right)
PE-PRO30-LEFT*	Pro 30 End Cap (Left)
PE-SLOT-CLIP*	Pro 30 Slot Clip

*Pro 30 Extrusion is available as special order only.
Please allow up to 2 weeks for order processing.



TRULUX EXTRUSIONS
PRO 30

TASK LIGHTING

DOWNLIGHTING

LINEAR LIGHTING

ARCHITECTURAL LIGHTING

POWER SUPPLIES

