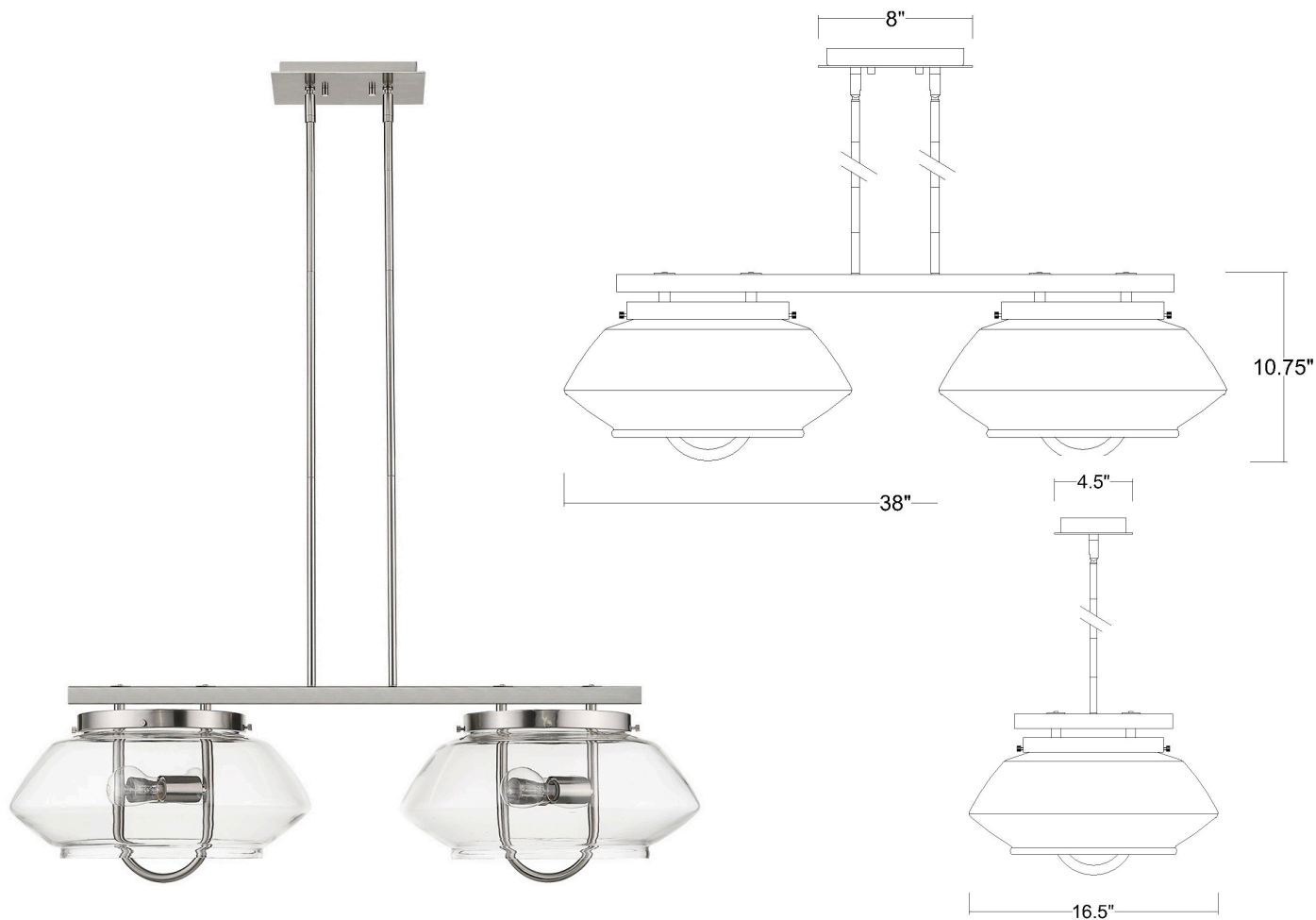


# TP20060SN GARNER 4-LIGHT PENDANT



<b>Description:</b>	Garner 4-Light Pendant
<b>Finish:</b>	Satin Nickel
<b>Dimensions:</b>	38" L x 16-1/2" W x 10-3/4" H
<b>Bulbs:</b>	4-60W Med.
<b>Installed Weight:</b>	17.5 lbs.
<b>Certification:</b>	cUL / dry location

<b>Material:</b>	Steel and glass
<b>Shades:</b>	Glass
<b>Glass:</b>	Clear
<b>Canopy Dimensions:</b>	8" x 4-1/2"
<b>Chain/Wire:</b>	12' Wire
<b>Stems:</b>	6-12", 2-6", 2-3"
<b>Additional Finishes:</b>	ORB